

## 10. 安裝位置 Monnting Position

### 10.1 安裝位置概述

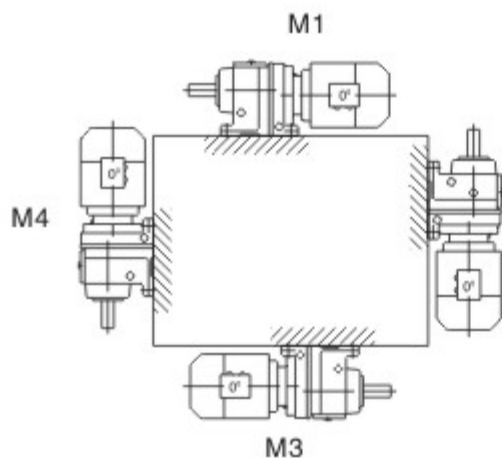
### 10.1 Mounnting position designation

安裝位置說明：RISC減速電機有M1..M6共6種安裝位置。

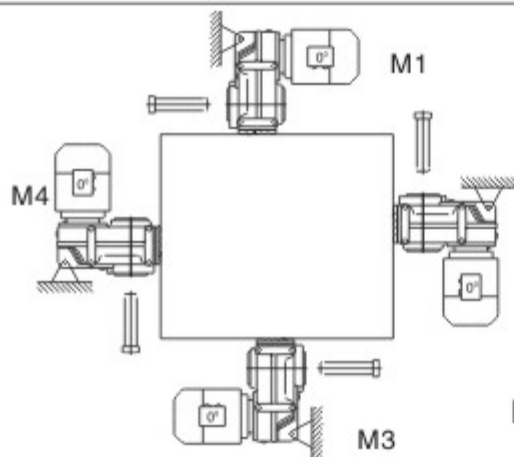
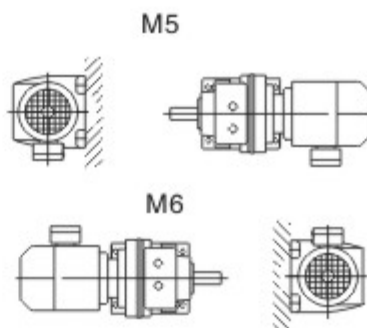
下面的圖表說明了減速器安裝位置M1..M6的空間排列。

RISC differentiates between six mounnting position M1-M6 for geared motors.

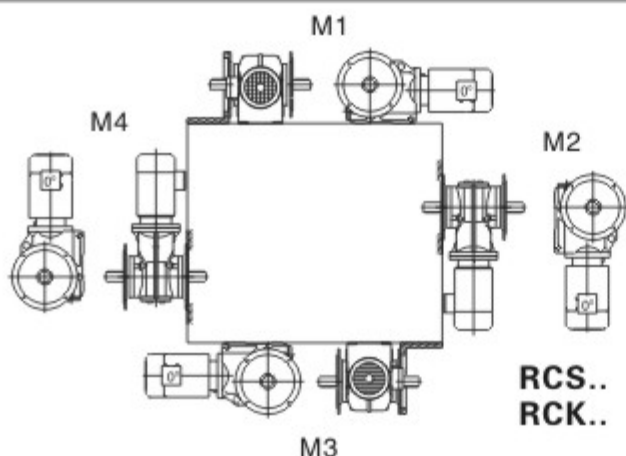
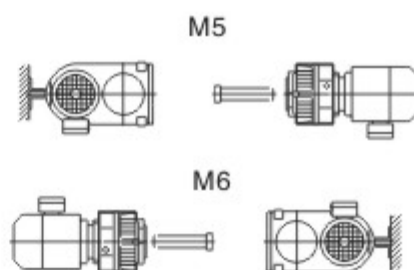
The following shows the spatial arrangement of the gear units in mounting positions M1-M6.



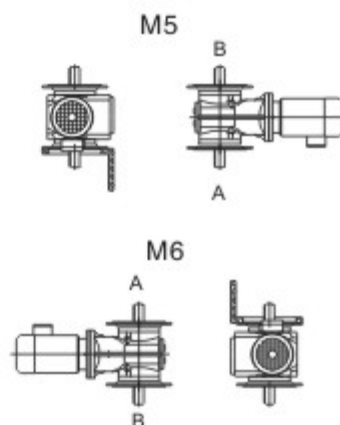
RCR..



RCF..



RCS..  
RCK..



#### 重要的訂貨信息

#### Important indention information

除了安裝位置以外，下面訂貨資料也是必需的，以便精確描述要求的減速電機外形。  
Except the mounting position,the indention informations for depicting the figure of gear

#### 電機接線盒位置

#### 電機接線盒出線口位置

#### 對直角型減速機：輸出方向

#### 對直角型帶收縮盤軸裝式減速機：連接端帶或不帶法蘭

#### 帶逆止器的減速電機：設備的旋轉方向

#### Unit exactly are necessary

#### Position of the motor terminal box

#### For the right-angle shaft reducers:output shaft connection.

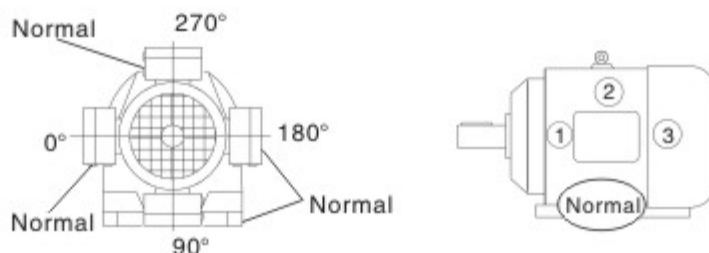
#### For the right-angle shaft reducers:with shrink-disk:with or without feange.

#### For the drive with a backstop: the Direction of rotation.

## 電機接線盒和出線嘴位置

### Position of the motor terminal box cable entry

電機接線盒從電機風扇罩看（如圖），位置分別表示為 $0^\circ$ ， $90^\circ$ ， $180^\circ$ 或 $270^\circ$ 。出線嘴的位置也可以進行選擇（如圖），分別表示為“Normal”，“1”，“2”或“3”。  
 Possible positions of the terminal box are  $0^\circ$ ,  $90^\circ$ ,  $180^\circ$  or  $270^\circ$  as viewed onto the fan guard=B-side.  
 In addition, the position of the cable entry can be selected. The possibilities are "X" (=normal position), "1", "2", or "3".



圖：接線盒與出線嘴的位置

Fig: Position of the terminal box and cable entry

對於接線盒，除非給出了詳細信息，否則接線盒按 $0^\circ$ ，出線嘴按“Normal”供貨。我們建議安裝位置在M3時，應選出線嘴位置為“2”。

注意：

對於RCR17D71..減速電機，接線盒位置不能標為 $90^\circ$ 。

D71..BMG接線盒位置為 $90^\circ$ 時，出線嘴位置不能標為“2”。

Unless other information is given regarding the terminal box, the  $0^\circ$  type with "X" cable entry will be supplied. We recommend selecting cable entry "2" with mounting position M3.

The terminal box cannot be positioned at  $90^\circ$  on the RCR17D71 geared motor.

Cable entry "2" is not possible with the D71..BMG motor with terminal box position  $90^\circ$ .



## 帶逆止器減速電機的旋轉方向

### Direction of rotation of the drive with a backstop

若減速電機帶逆止器，規定出減速電機的旋轉方向是很必要的。按下列標識：

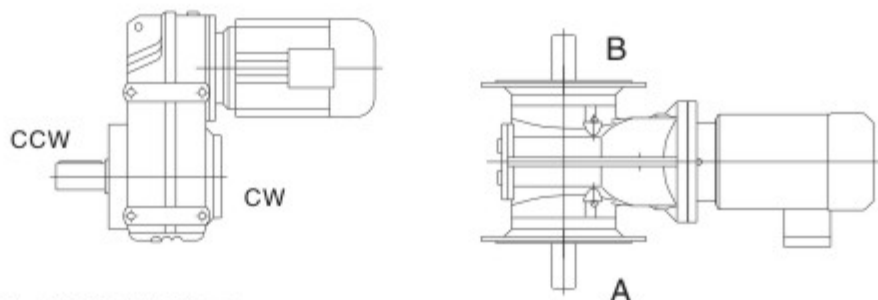
從輸出軸看：順時針(CW)為向右旋轉逆時針(CCW)為向左旋轉

If the drive has a RS backstop, it is necessary to stipulate the direction of drive rotation.

The following definition applies:

Looking onto the output shaft: Clockwise(CW)=Rotating to the right

Counterclockwise(CCW)=Rotating to the left



圖：輸出軸的旋轉方向

Fig: Direction of rotation of the output shaft

對於直角軸型式減速電機，規定出給定的旋轉方向是從A端看還是從B端看的，這是非常必要的。

In right-angle gear units, it is necessary to indicate if the direction of rotation is given where be looked from the A or B end.

### 輸出軸的位置

#### Position of the output shaft

對於直角軸型減速機，規定出軸方向是必要的.: A或B,還是A+B(見圖)

In right-angle gear units, it is necessary to indicate the position of the output shaft and output flange:A or B or A+B

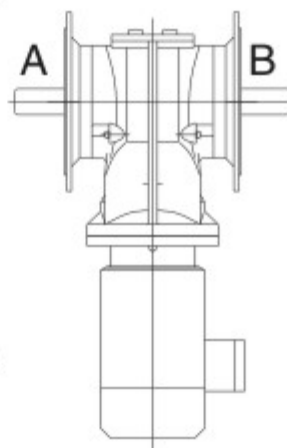


圖:出軸方向

Fig:Position of the Output shaft

### 帶鎖緊盤的軸裝直角軸減速機

#### Position of the connection end in tight-angle gear units with shrink disk

對於軸裝式帶鎖緊盤的正文軸型式減速電機，規定出A端還是B端為連接端并且連接端是否有法蘭是必要的。在圖中，A端是連接端，鎖緊盤在連接端對面。

In shaft mounted right-angle gear units with shrink disk,it is necessary to indicate whether the A or B end is the connection end.In Fig.The A end and is the connection end.The shrink disk is located opposite the connection end.

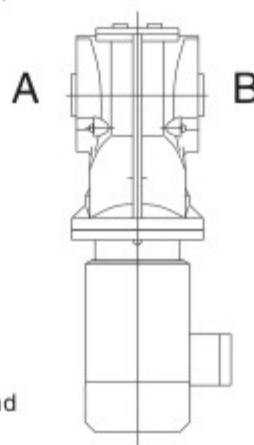


圖:連接端的位置

Fig:Position of the connection end

### 定購實例

#### Sample orders

對於RCK167/K187來講，安裝位置為M5和M6時，連接端祇能是在底部連接。

Connection end at bottom only is possible with RCK167/K187 helical-bevel gear units in mounting positions M5 and M6.

類型 Type	安裝位置 Mounting position	連接端 Shaft with	鎖緊盤位置 Position of shrink disk	法蘭 Flange	接線位置 Position of terminal box	出線嘴位置 Position of cable entry	旋轉方向 ration direction	出軸方向 Output direction
RCKF47D71D4/RS	M5	A	-	B	0°	"Normal"	CW	A
RCSF97D180M4	M2	A+B	-	A+B	180°	"2"	-	A+B
RCKH107D160L4	M1	A	B	-	270°	"3"	-	-

## 所有符號的含義 Symbols used

下表列出，在安裝位置上的符號及其含義

The following table shows the symbols used in the mounting position sheets and what they mean:

符號 Symbol	含義 Meaning
	通氣器 Breather valve
	油標 Oil level plug
	放油螺塞 Oil drain plug
	進綫位置 In line plug

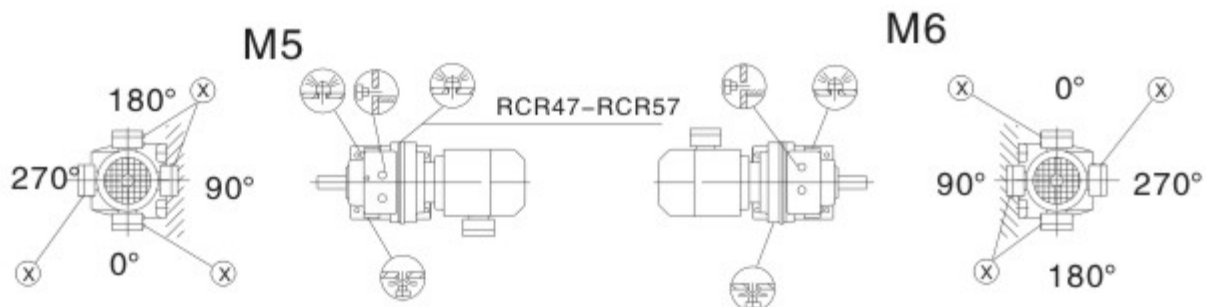
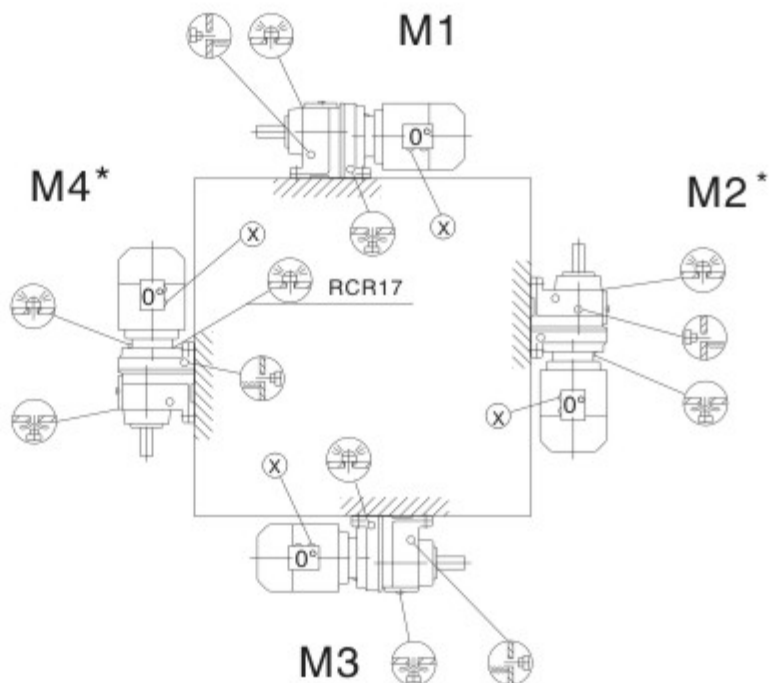
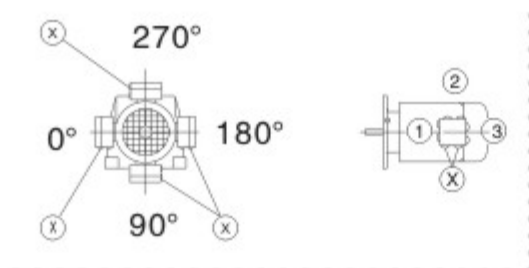
## 攪油損失 Churning losses

在某些安裝位置可能增加攪油損失，在下列結構中請向我公司諮詢  
 In creased churning losses may arise in some mounting positions,  
 Please contact company in case of the following combinations.

安裝位置 Mounting position	減速器型號 Gear unit type	減速器規格 Gear unit size	輸入速度(rpm) Input speed
M2,M4	RCR	97-107	>2500
		>107	>1500
M2,M3,M4,M5,M6	RCF	97-107	>2500
		>107	>1500
	RCK	77-107	>2500
		>107	>1500
RCS	77-97	>2500	

10.2 斜齒輪減速電機安裝位置  
10.2 Mounting position of Helical gear unit

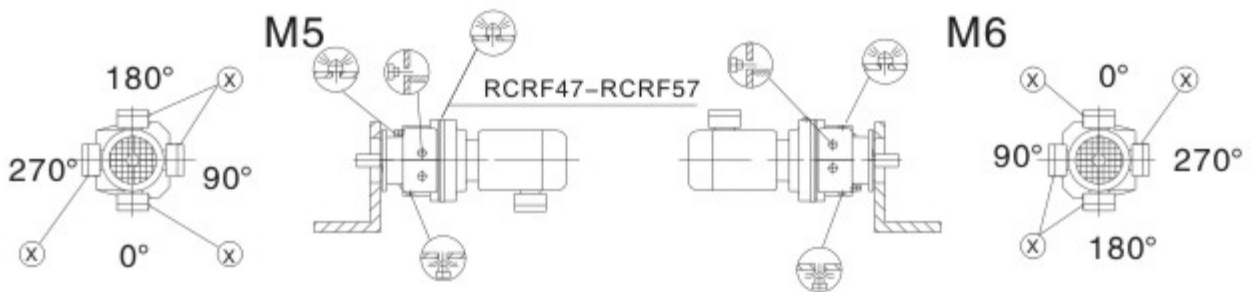
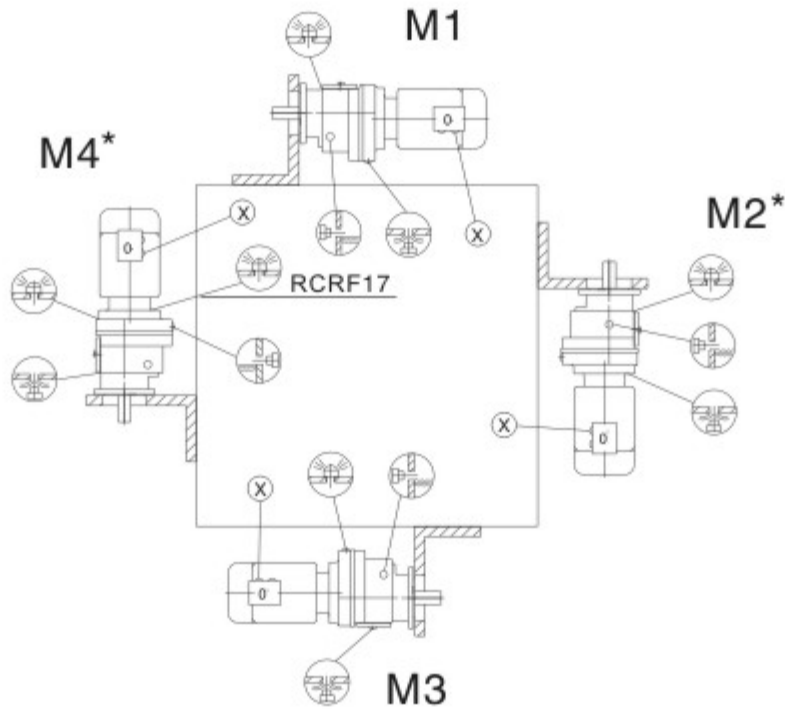
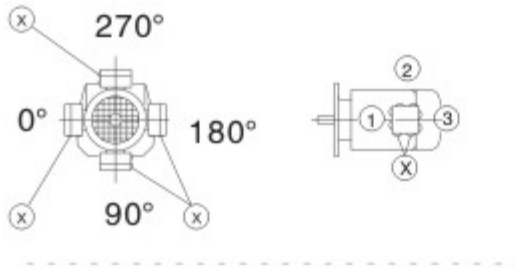
**RCR17-RCR167**







RCR17,RCR27		M1,M3,M5,M6
RCR47,RCR57		M5
RCR17,RCR27		

RCR..  
RCF..  
RCK..  
RCS..  
RC..系列齒輪減速電機

**RCRF17-RCRF167**



- |               |   |             |
|---------------|---|-------------|
| RCRF17,RCRF27 |    | M1,M3,M5,M6 |
| RCRF47,RCRF57 |    | M5          |
| RCRF17,RCRF27 |   |             |

RCR..

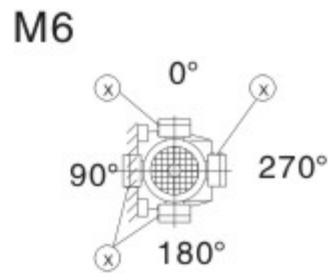
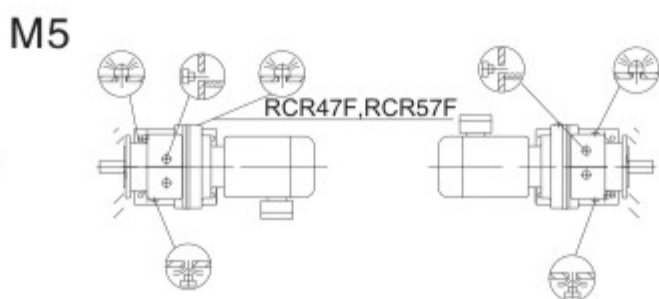
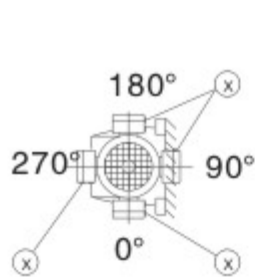
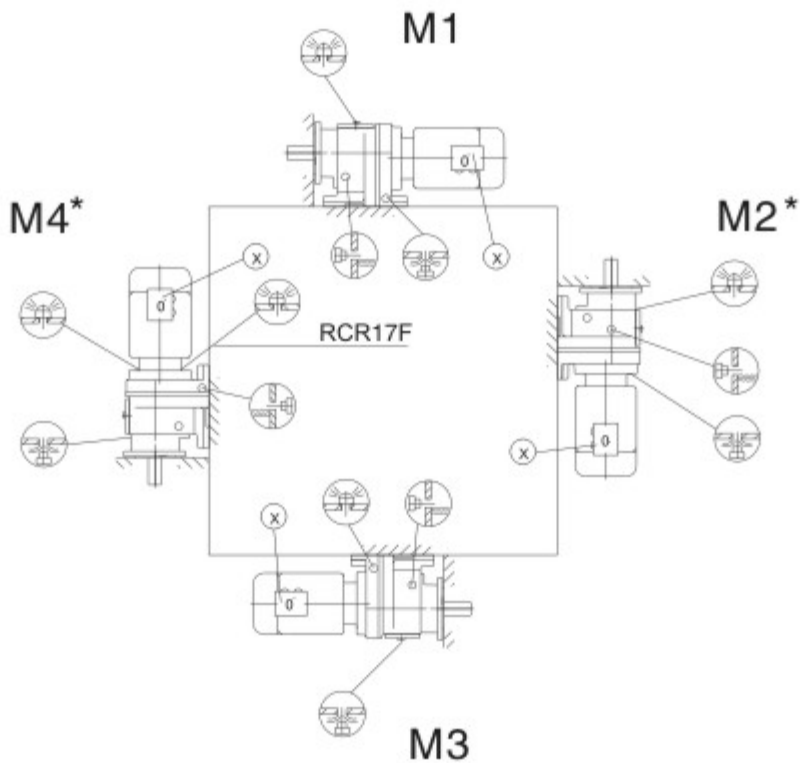
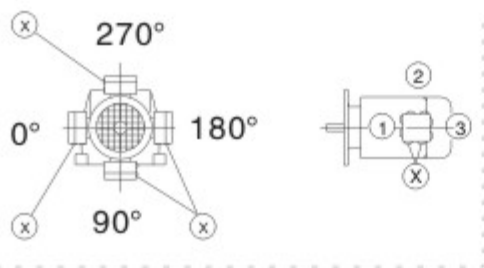
RCF..

RCK..

RCS..

RC : 系列齒輪減速電機

**RCR17F-RCR87F**



- |                |  |                |
|----------------|--|----------------|
| RCR17F, RCR27F |  | M1, M3, M5, M6 |
| RCR47F, RCR57F |  | M5             |
| RCR17F, RCR27F |  |                |

RCR..

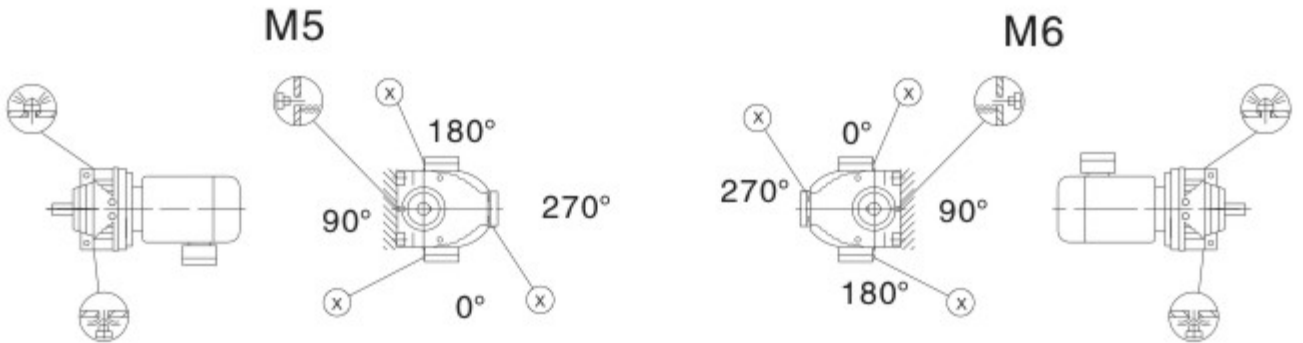
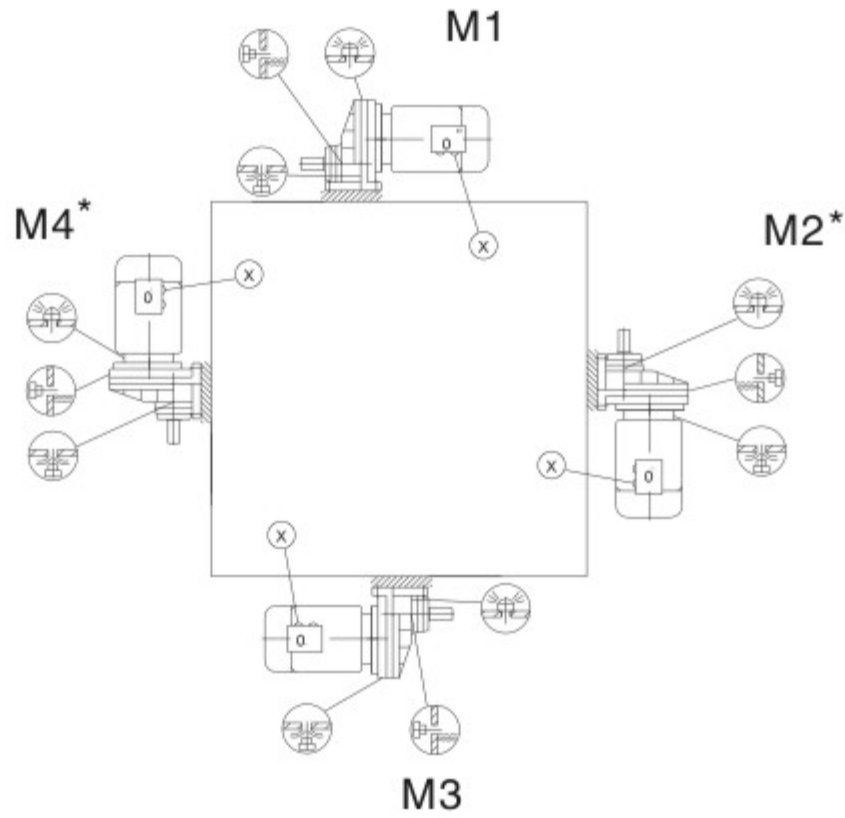
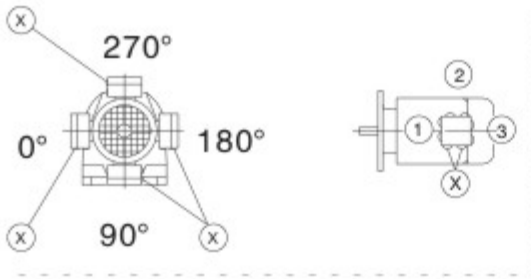
RCF..

RCK..

RCS..

RC..系列齒輪減速電機

**RCRX57-RCRX107**



RCR..

RCF..

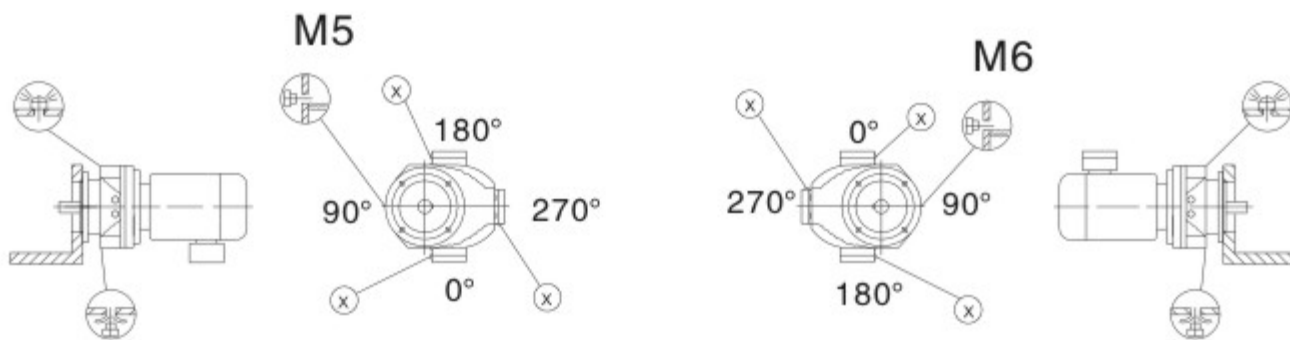
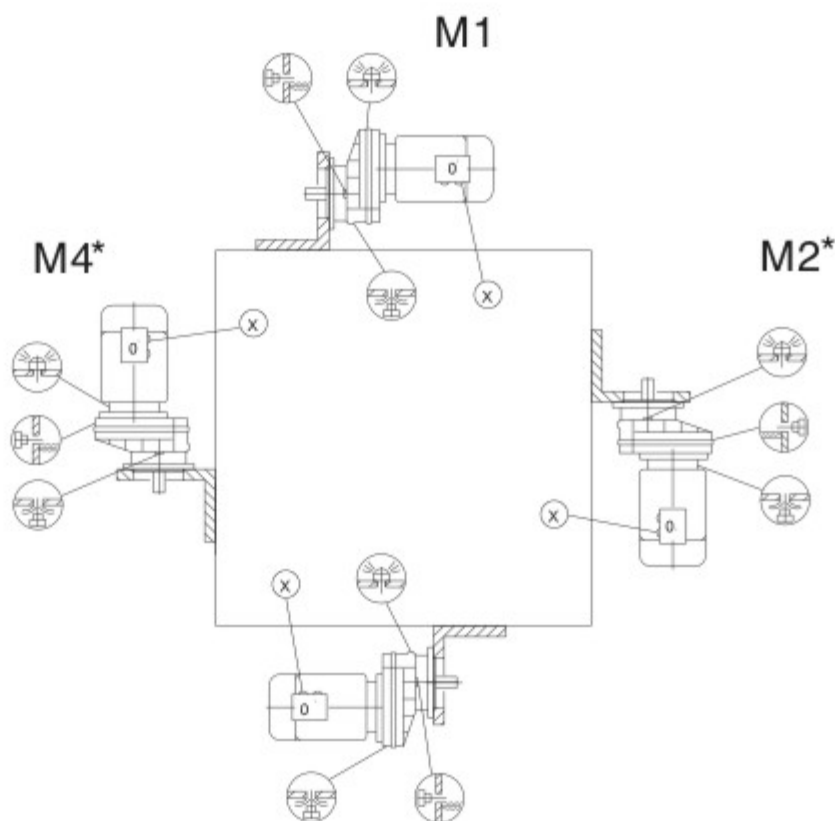
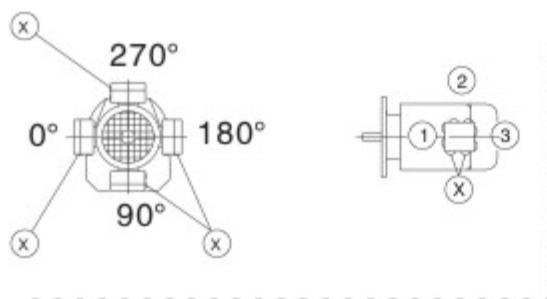
RCK..

RCS..

RC..系列齒輪減速電機



**RCRXF57-RCRXF107**



RCR..

RCF..

RCK..

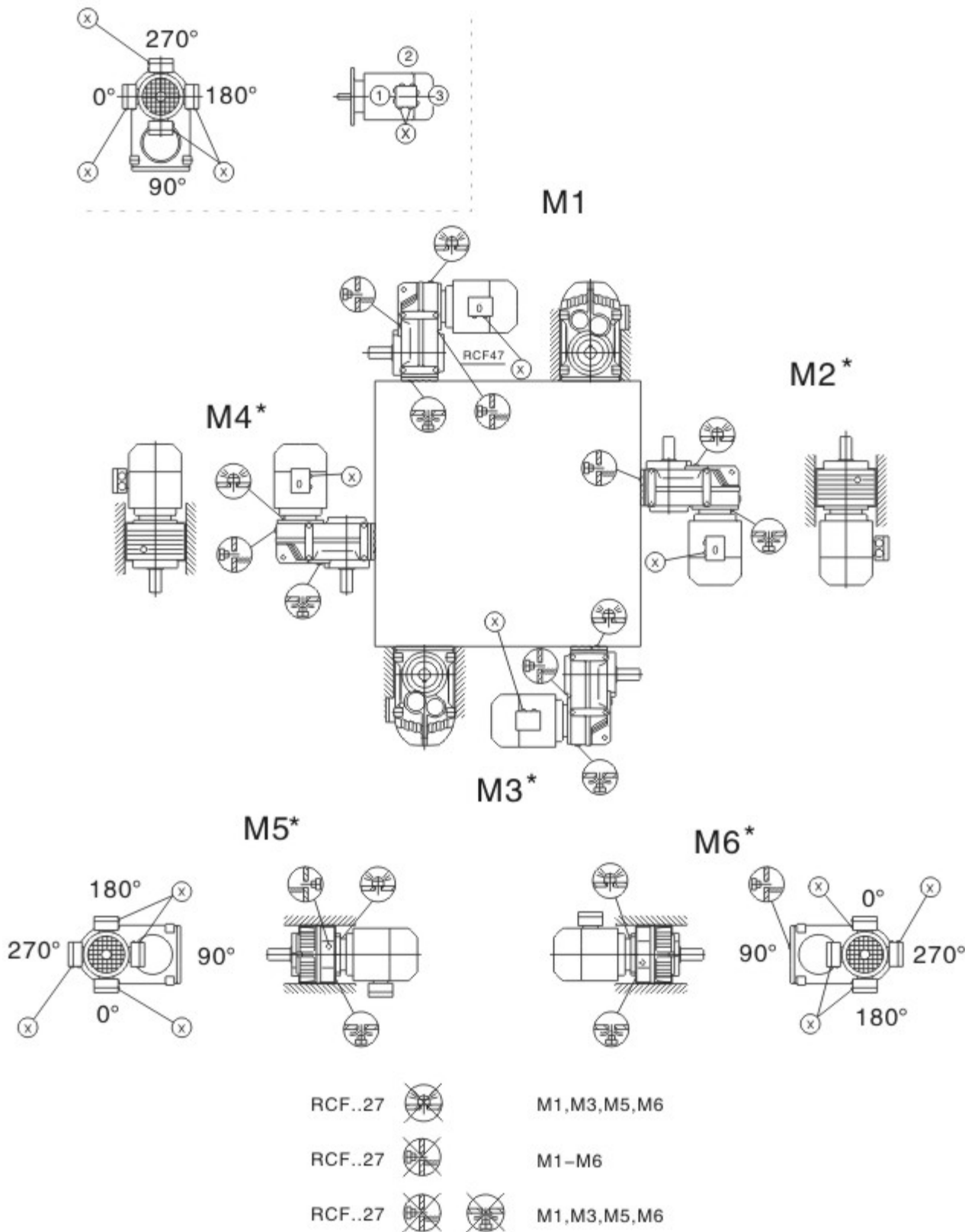
RCS..

RC..系列齒輪減速電機

### 10.3 平行軸斜齒輪減速電機安裝位置

### 10.3 Mounting position of parallel shaft helical Gear unit

#### RCF/FA..B/FH27B-157B, RCFV27B-107B



RCR..

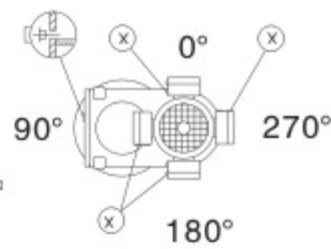
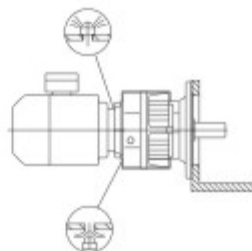
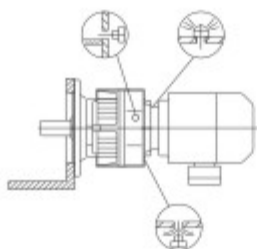
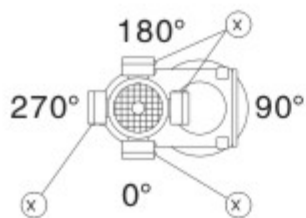
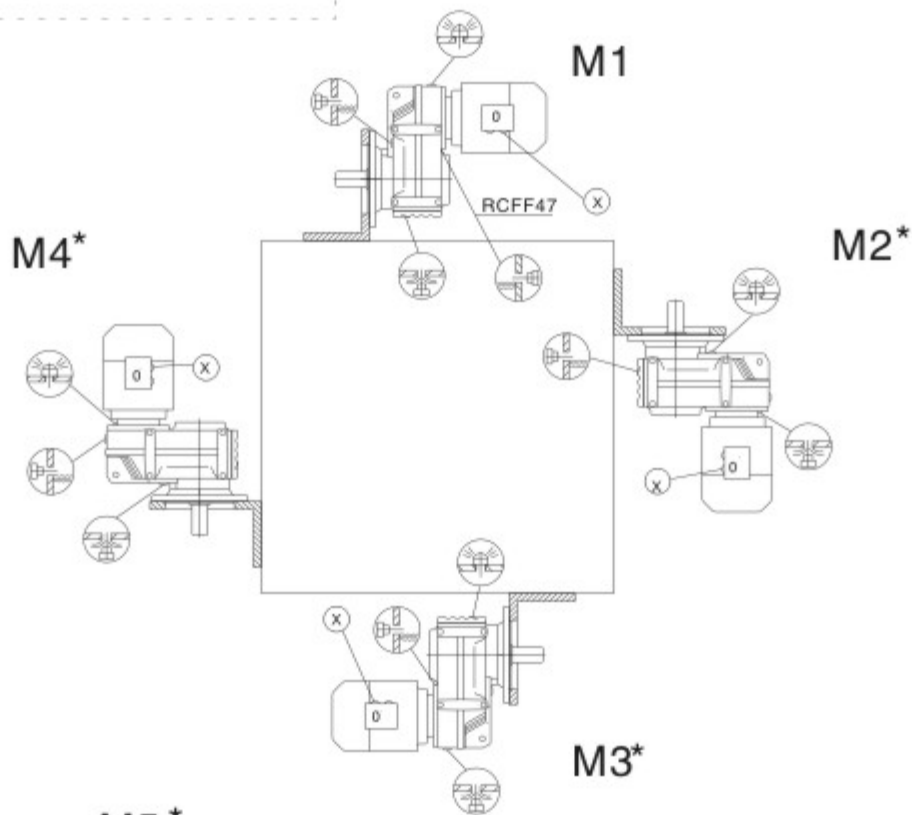
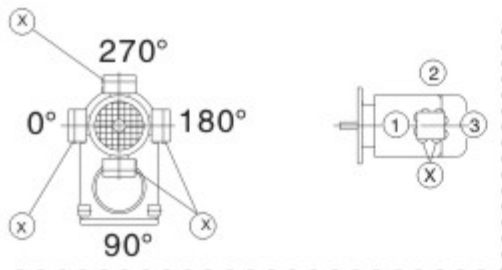
RCF..

RCK..

RCS..

RC : 系列齒輪減速電機

**RCFF/FAF/FHF/FAZ/FHZ27-157, RCFVF/FVZ27-107**



RCF..27		M1, M3, M5, M6
RCF..27		M1-M6
RCF..27		M1, M3, M5, M6

RCR..

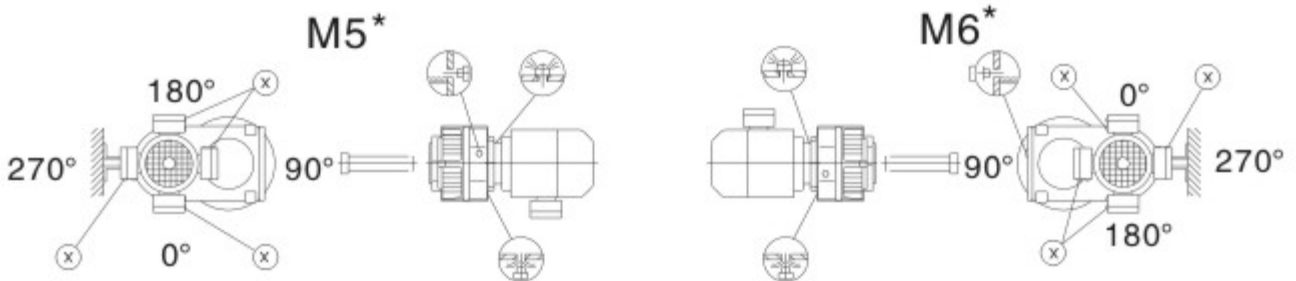
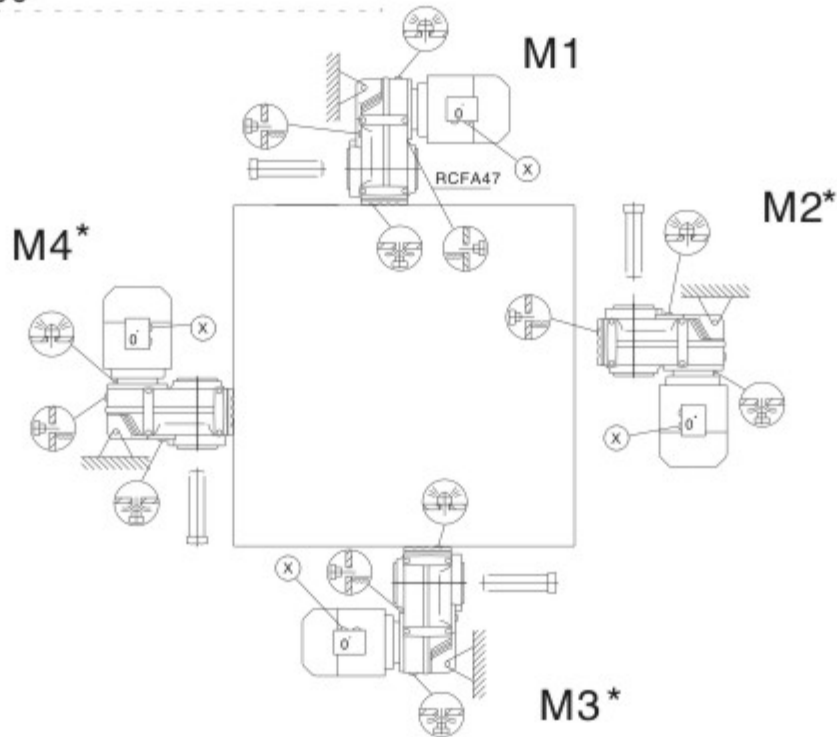
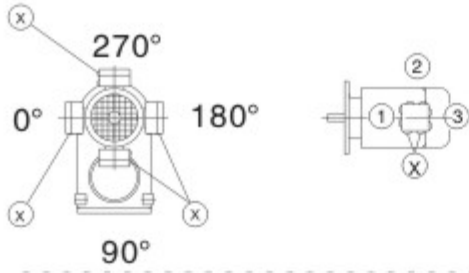
RCF..

RCK..

RCS..

RC..系列齒輪減速電機

**RCFA/FH27-157, RCFV27-107**



RCF..27		M1, M3, M5, M6
RCF..27		M1-M6
RCF..27		M1, M3, M5, M6

RCR..

RCF..

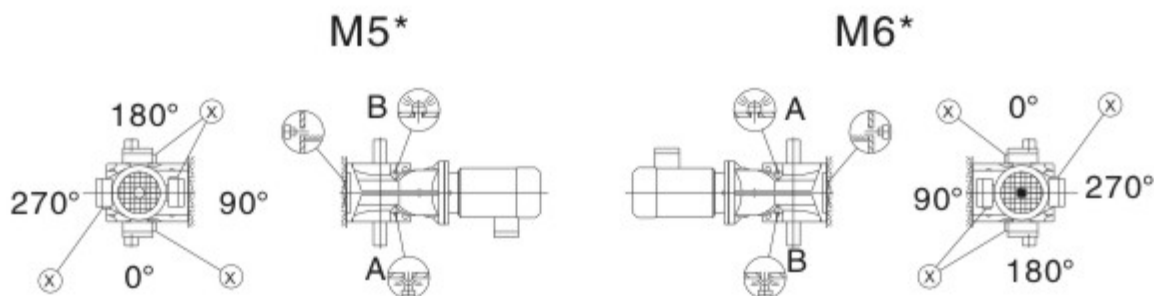
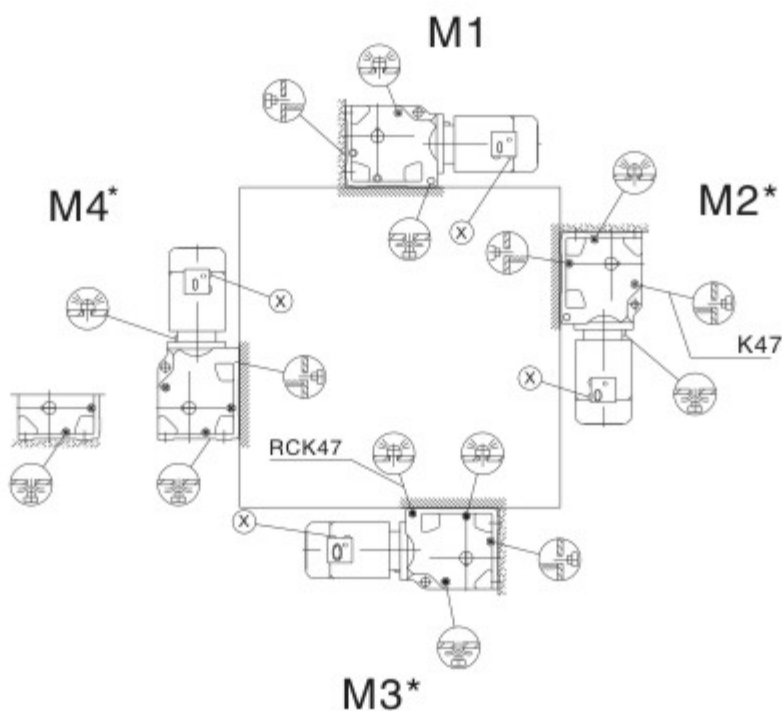
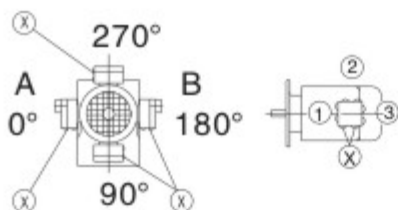
RCK..

RCS..

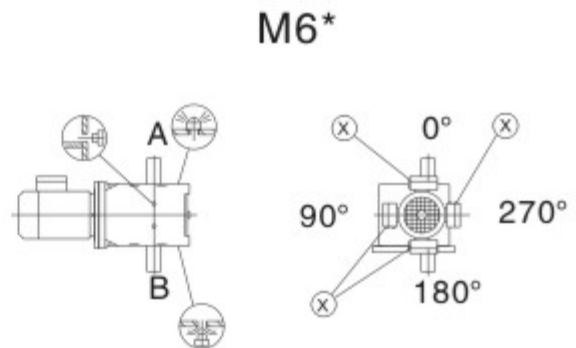
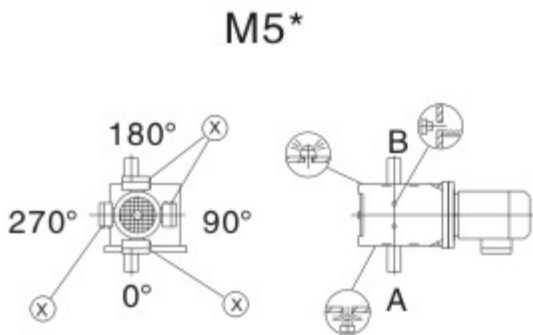
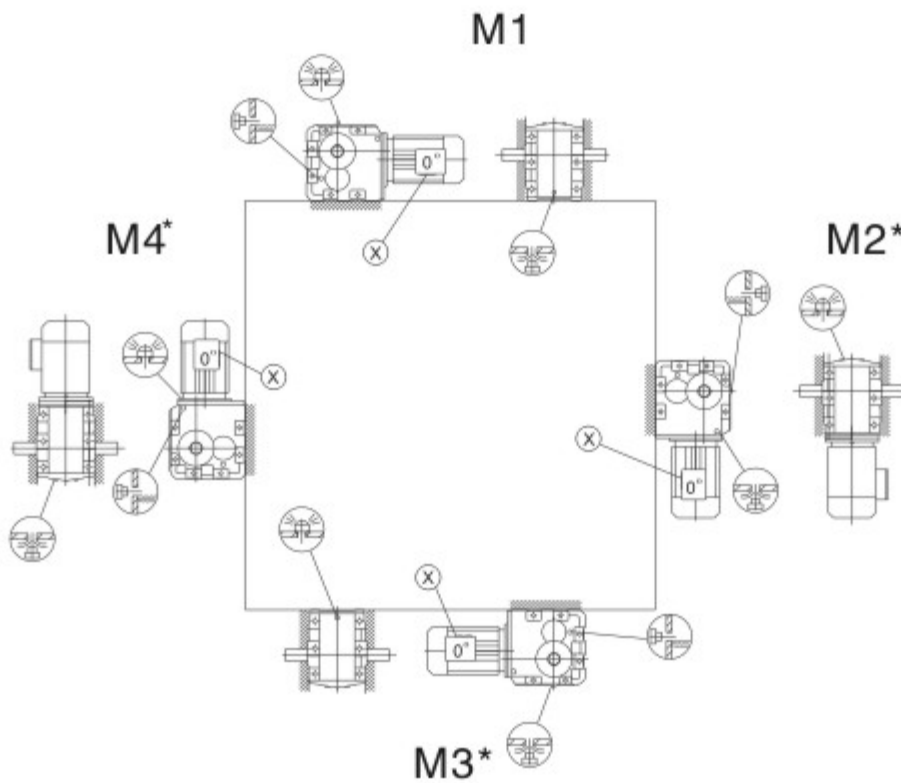
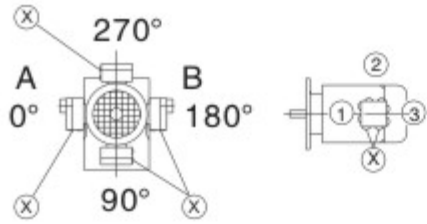
RC : 系列齒輪減速電機

### 10.4 斜齒輪-傘齒輪減速電機安裝位置 Mounting position of helical – bevel Gear unit

RCK/KA..B/KH37B – 157B, RCKV37B – 107B



重要:請參見"減速器選型"中"徑向和軸向負載"部分(P19)  
Important:Please refer to the information in the "Geared Motors"catalog.Optional Planning for Gear units Overhung and axial loads part"(P19)

**RCK167-187, RCKH167B-187B**


重要:請參見"減速器選型"中"徑向和軸向負載"部分(P19)  
 Important:Please refer to the information in the "Geared Motors"catalog.Optional Planning for Gear units Overhung and axial loads part"(P19)

RCR..

RCF..

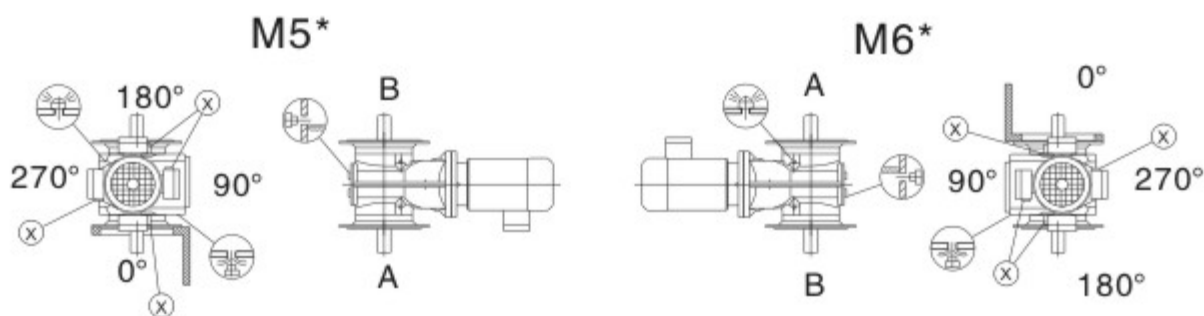
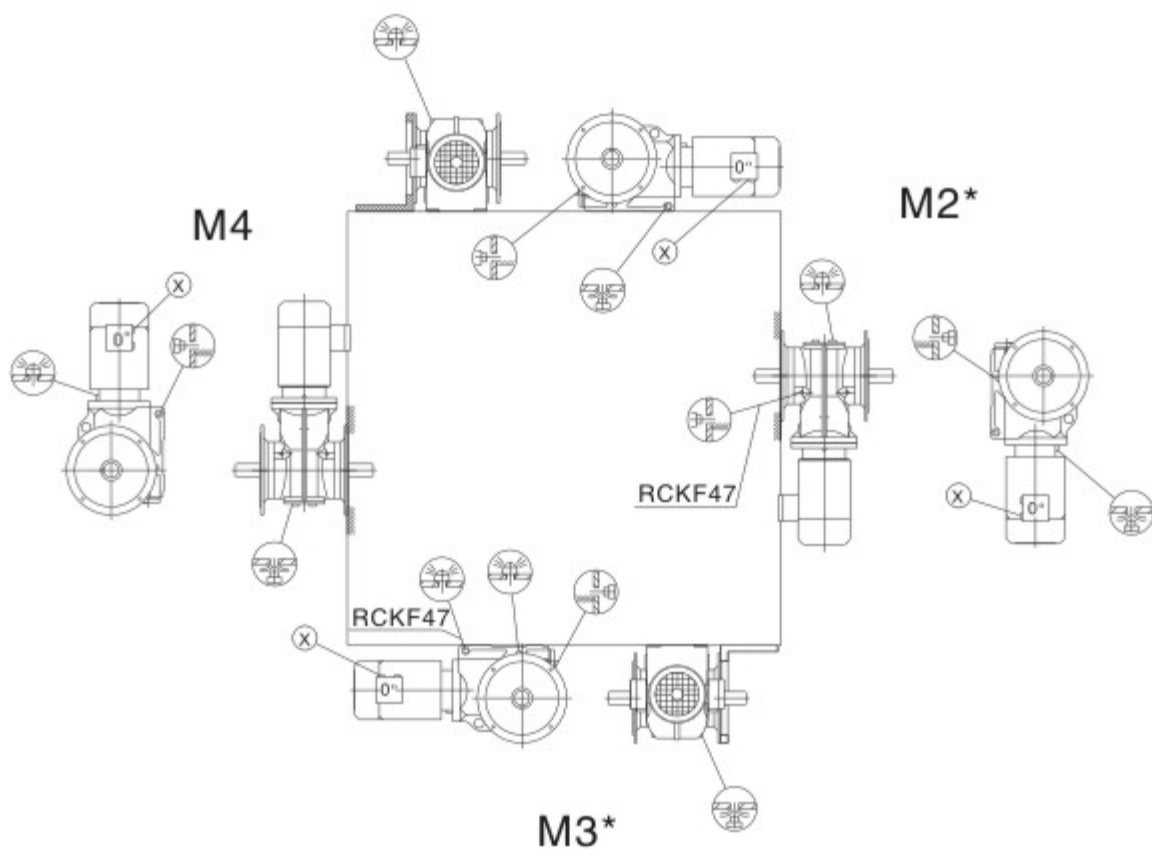
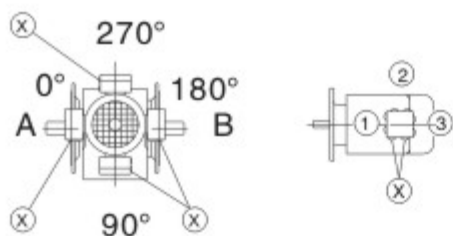
RCK..

RCS..

RC..系列齒輪減速電機



## RCKF/KAF/KAZ/KHZ37-157, RCKVF/KVZ37-107



RCR..

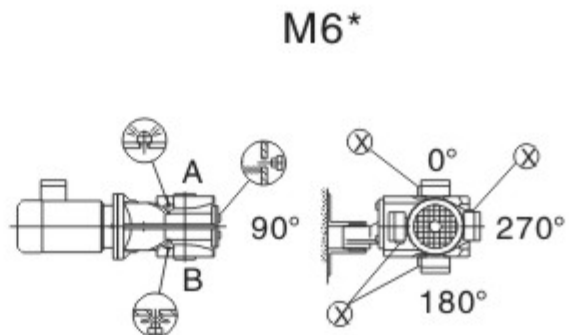
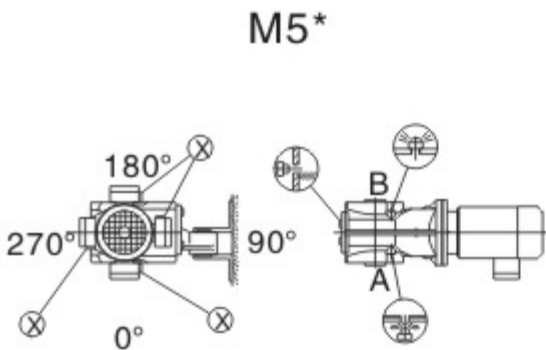
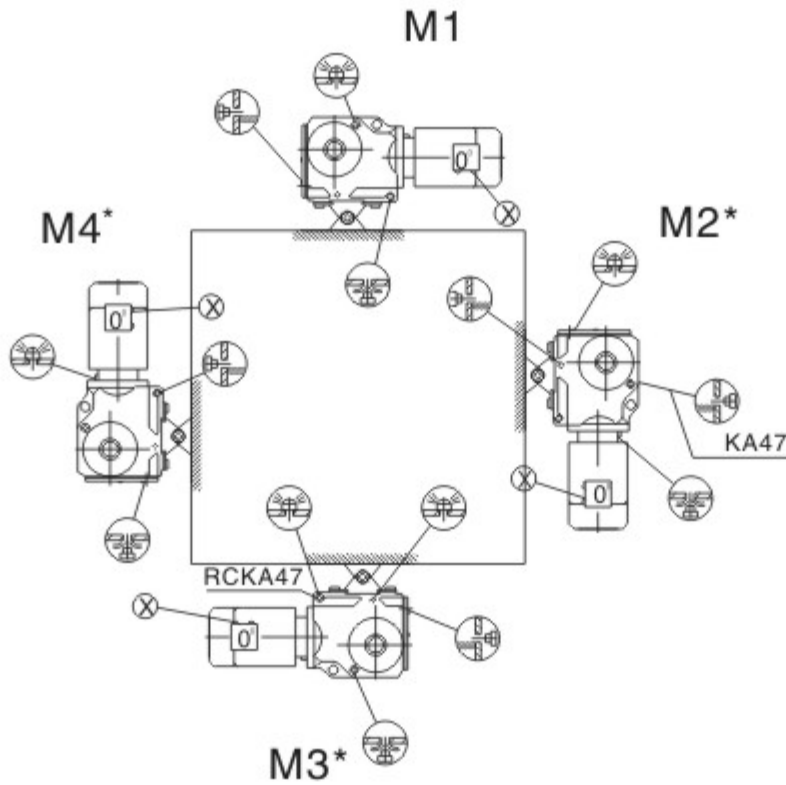
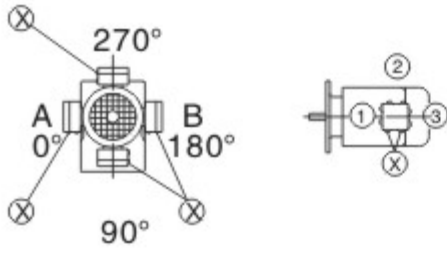
RCF..

RCK..

RCS..

RC..系列齒輪減速電機

**RCKA/KH37-157/T, RCKV37-107/T**



RCR..

RCE..

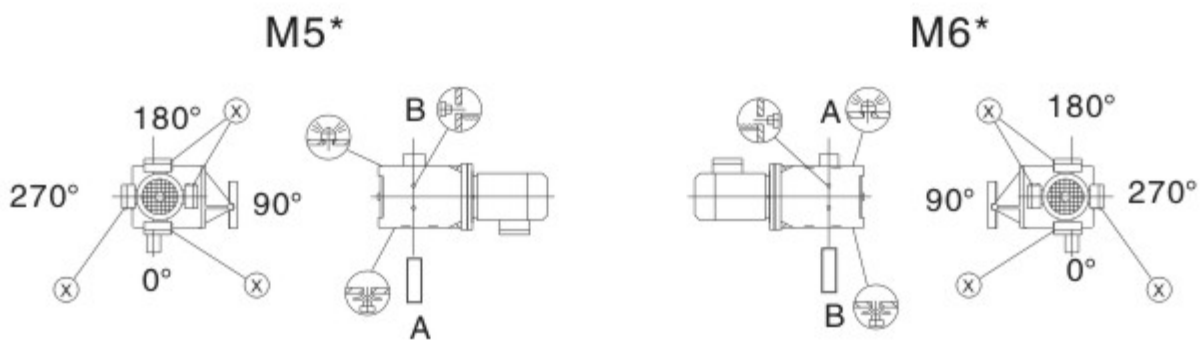
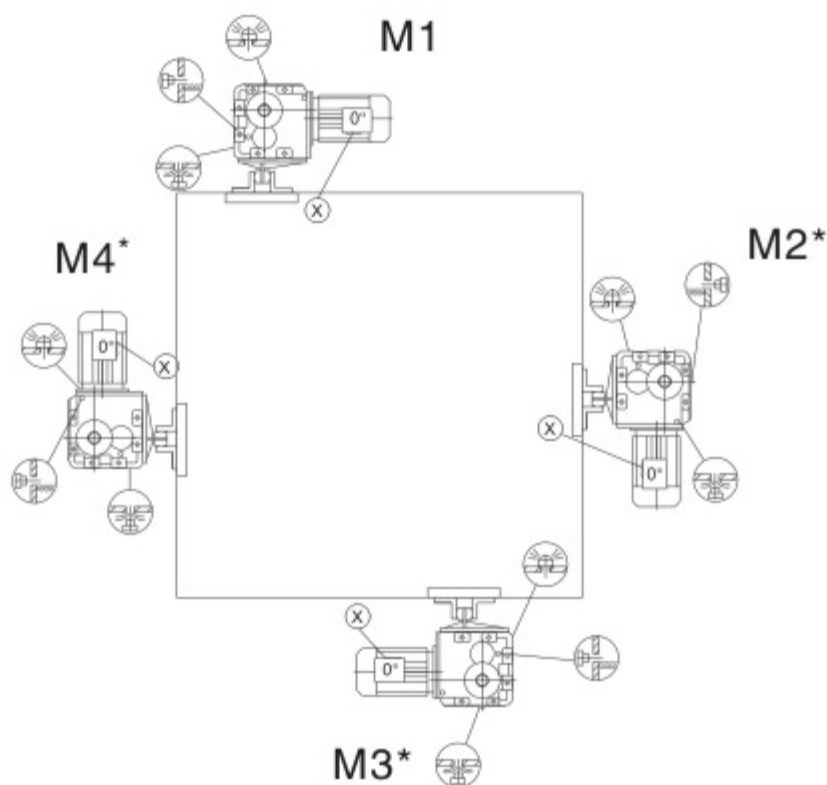
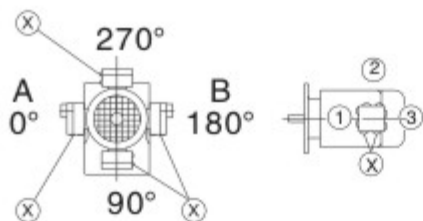
RCK..

RCS..

RC...系列齒輪減速電機



**RCKH167-187**



RCR..

RCF..

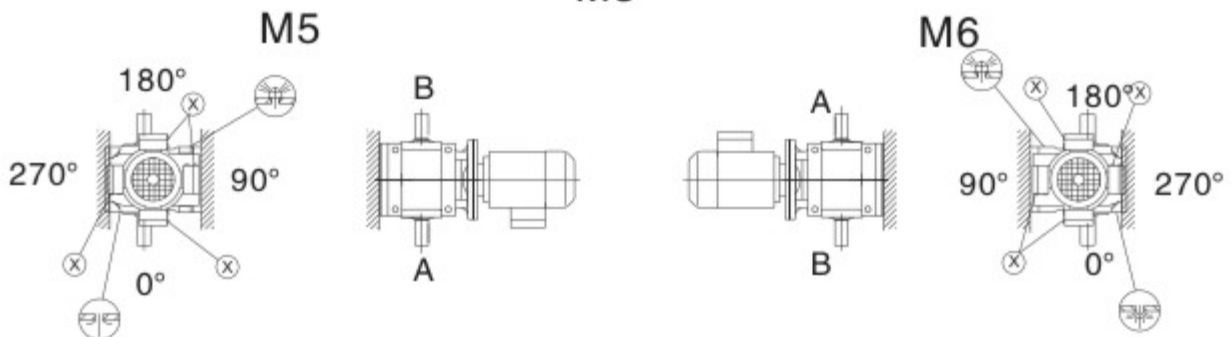
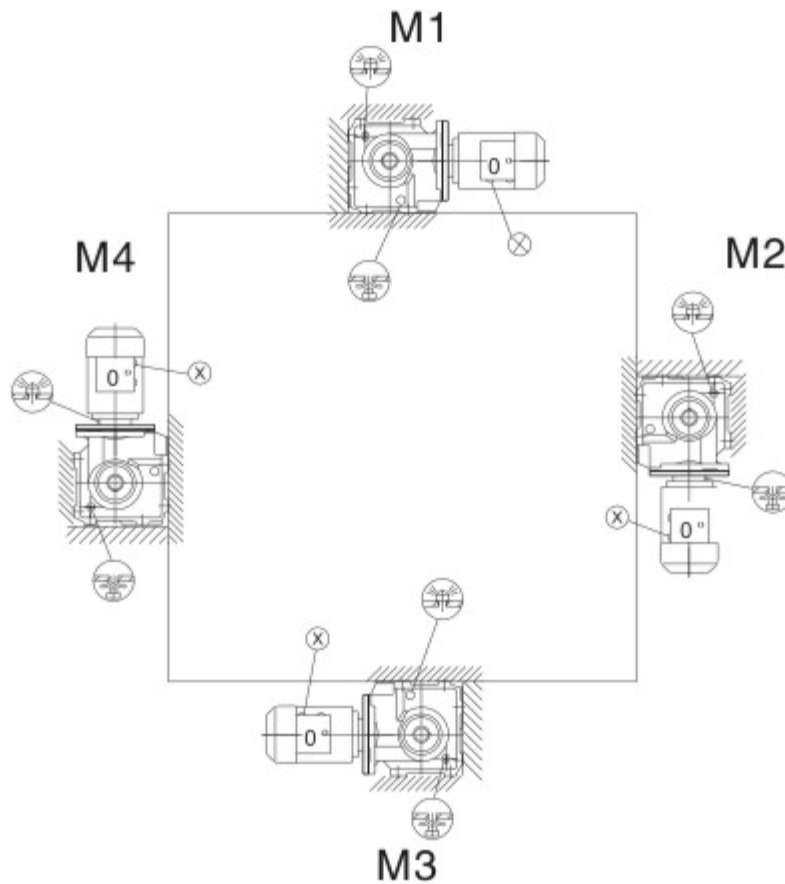
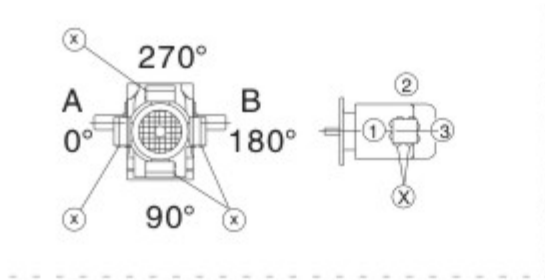
RCK..

RCS..

RC..系列齒輪減速電機

10.5 斜齒輪-蝸杆減速電機安裝位置  
10.5 Mounting position of Helical-worm Gear motor

**RCS37**



重要:請參見"減速器選型"中"徑向和軸向負載"部分(P19)  
Important:Please refer to the information in the "Geared Motors"catalog.Optional Planning for Gear units Overhung and axial loads part"(P19)

RCR..

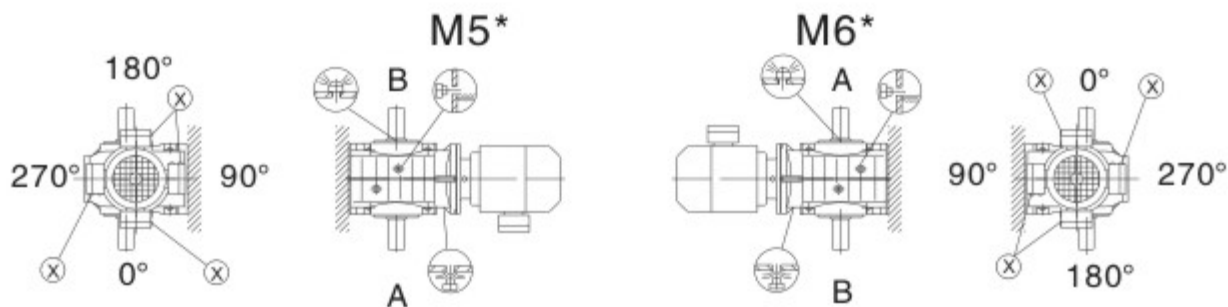
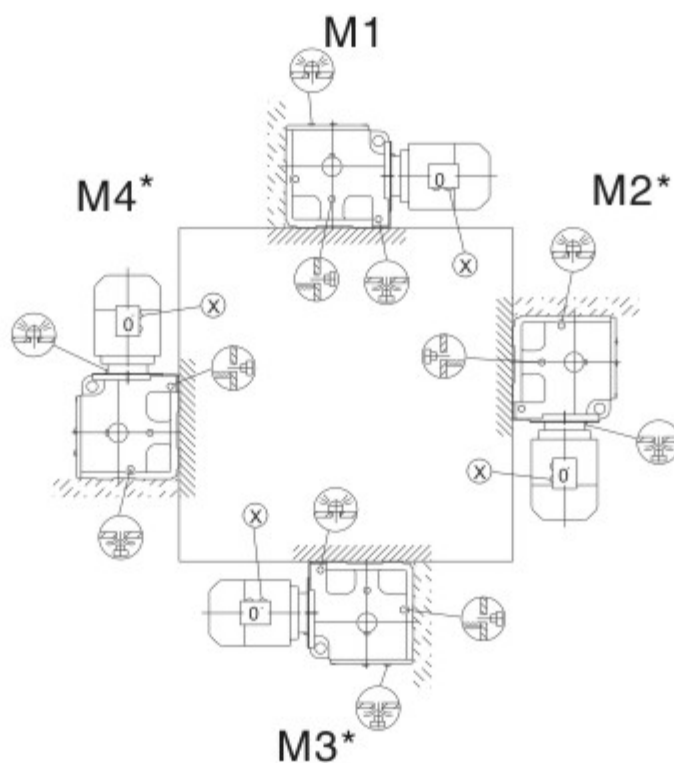
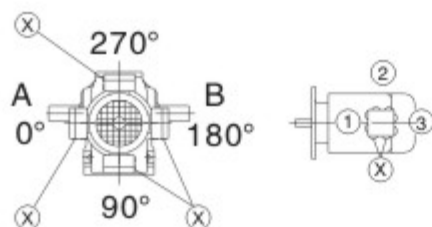
RCE..

RCK..

RCS..

RC...系列齒輪減速電機

**RCS47-RCS97**



重要:請參見"減速器選型"中"徑向和軸向負載"部分(P19)  
Important:Please refer to the information in the "Geared Motors"catalog.Optional Planning for Gear units Overhung and axial loads part"(P19)

RCR..

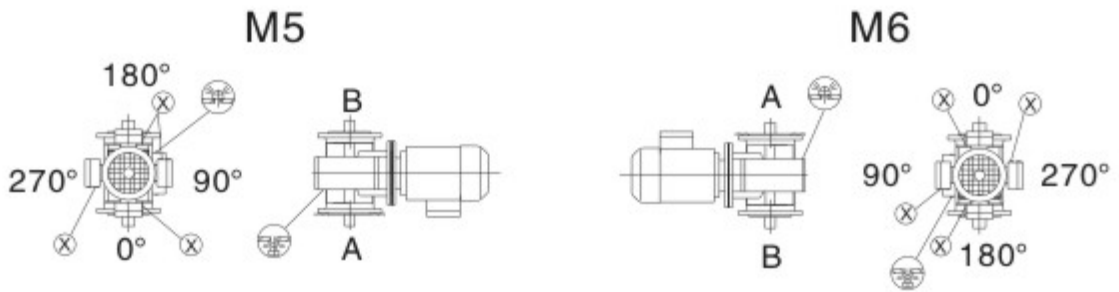
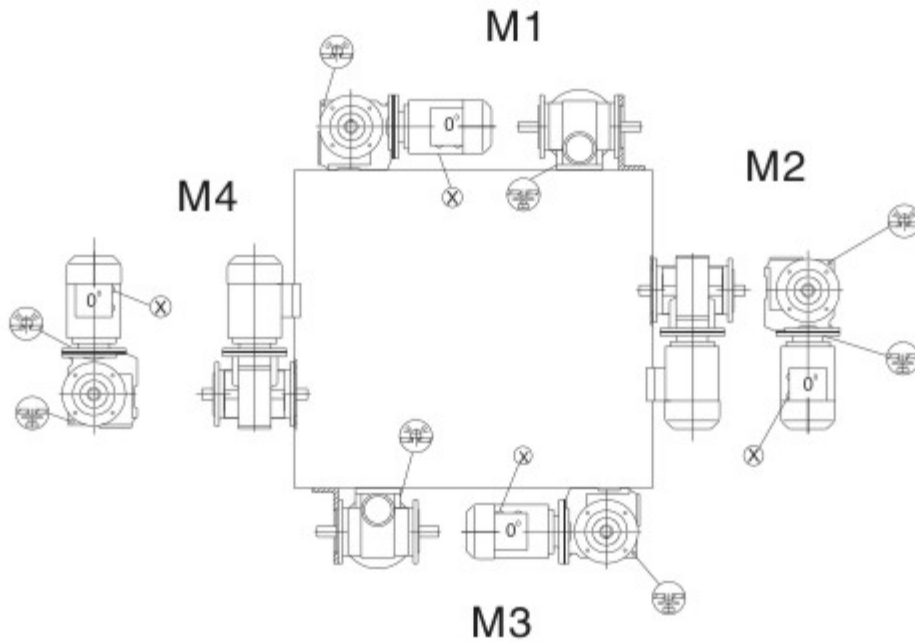
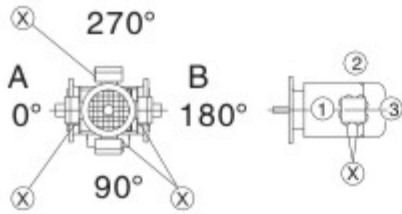
RCF..

RCK..

RCS..

RC..系列齒輪減速電機

**RCSF/SAF/SHF37**



RCR..

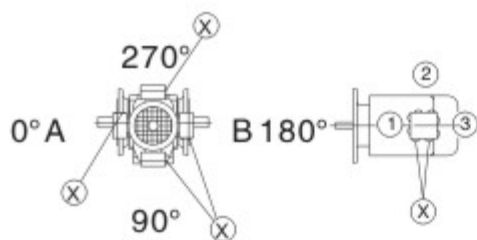
RCE..

RCK..

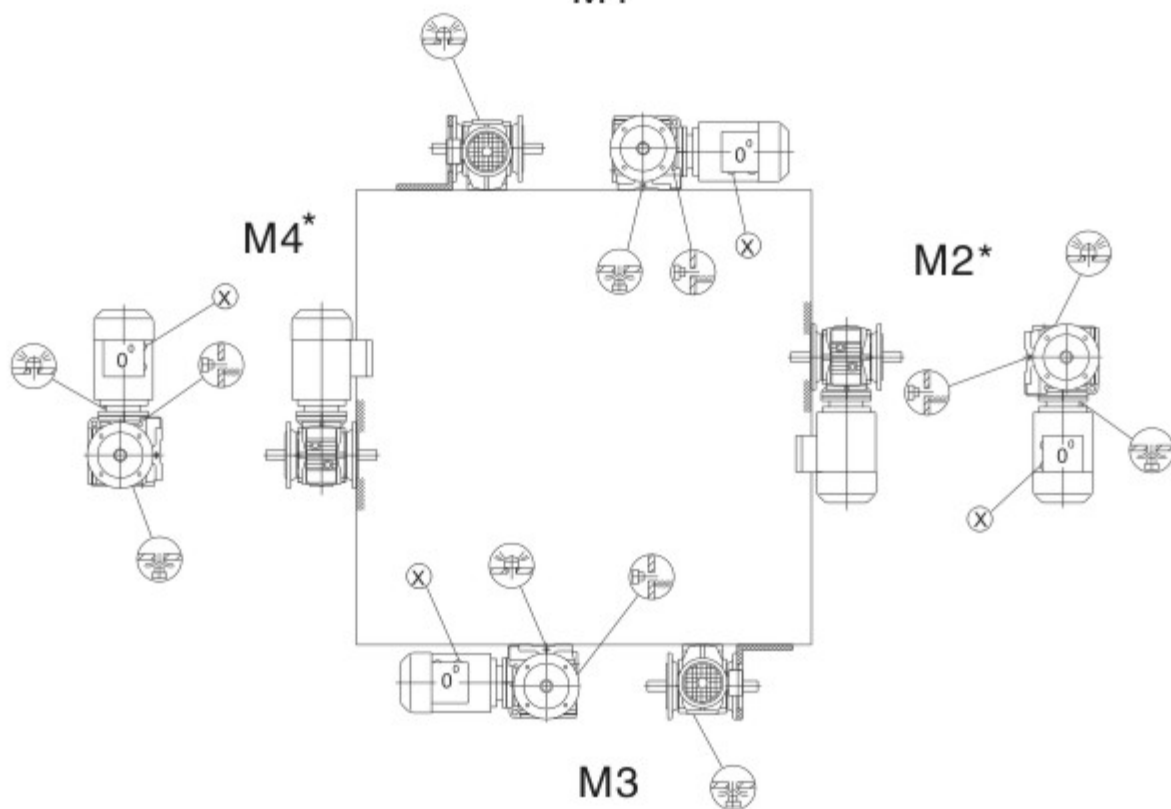
RCS..

RC..系列齒輪減速電機

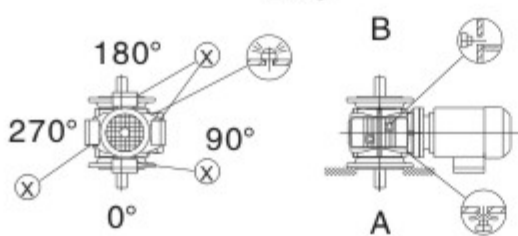
RCSF/SAF/SHF/SAZ/SHZ47..-97..



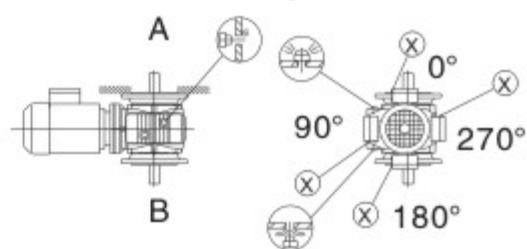
M1



M5\*



M6\*



RCR..

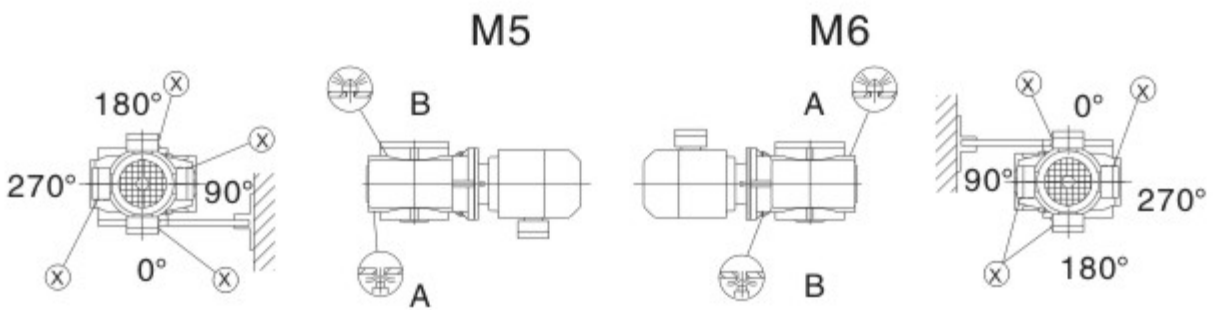
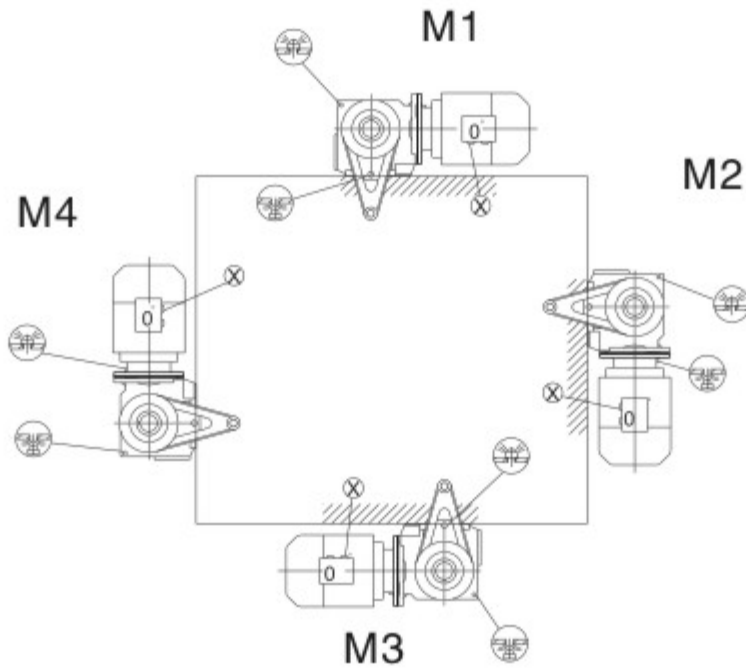
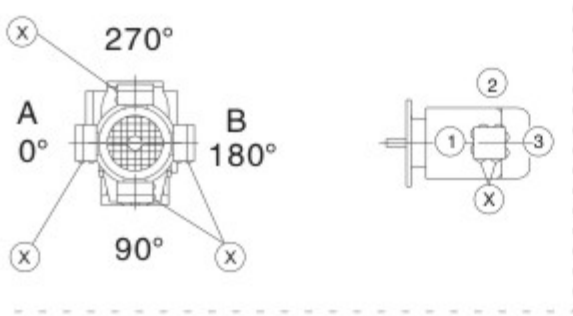
RCF..

RCK..

RCS..

RC..系列齒輪減速電機

**RCSA/SH37/T..**



RCR..

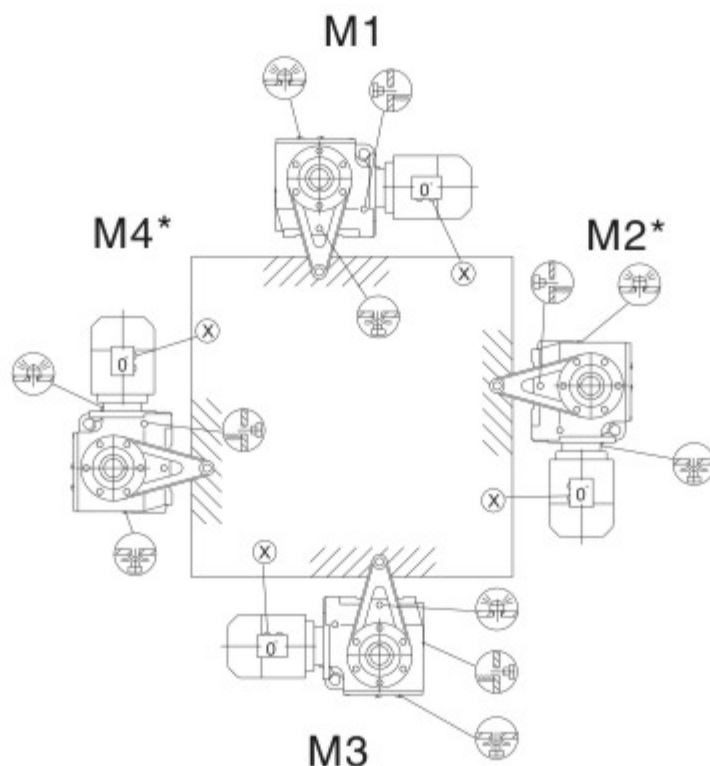
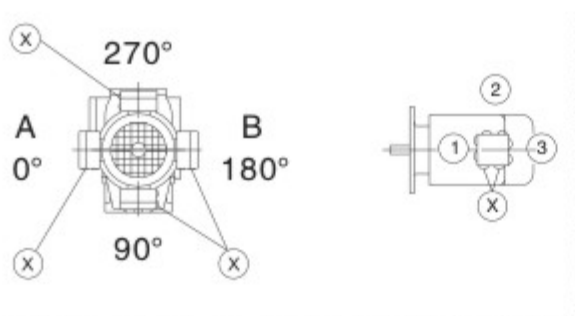
RCE..

RCK..

RCS..

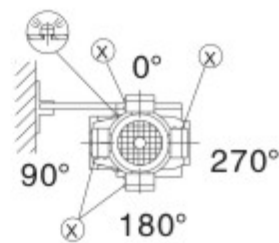
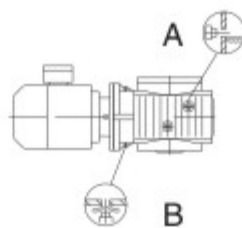
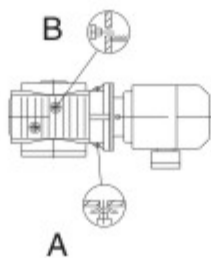
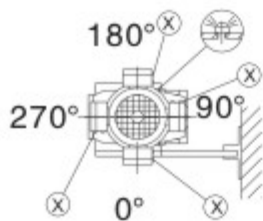
RC..系列齒輪減速電機

**RCSA/SH47..-97..**



**M5**

**M6**



RCR..

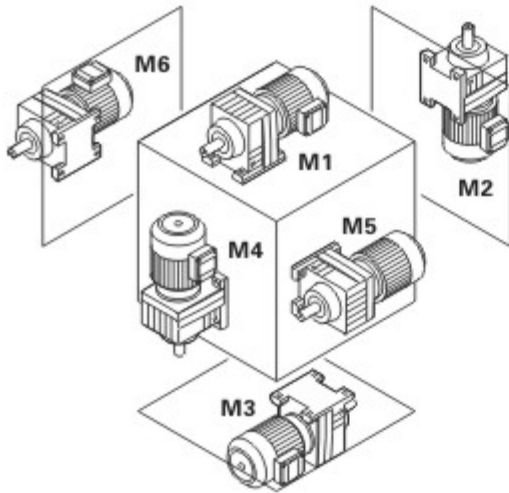
RCF..

RCK..

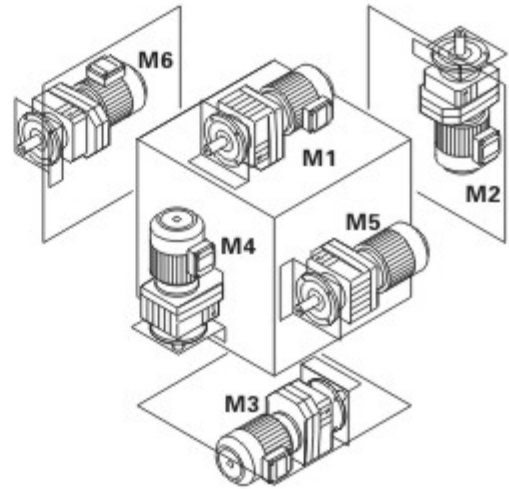
RCS..

RC..系列齒輪減速電機

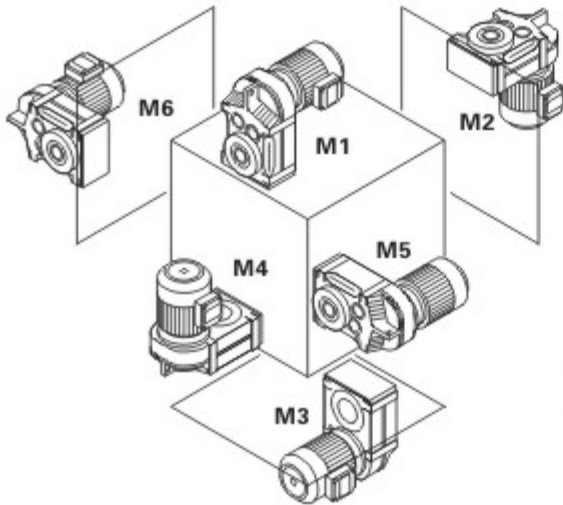
安裝位置示意圖  
Schematic diagram of the installation location



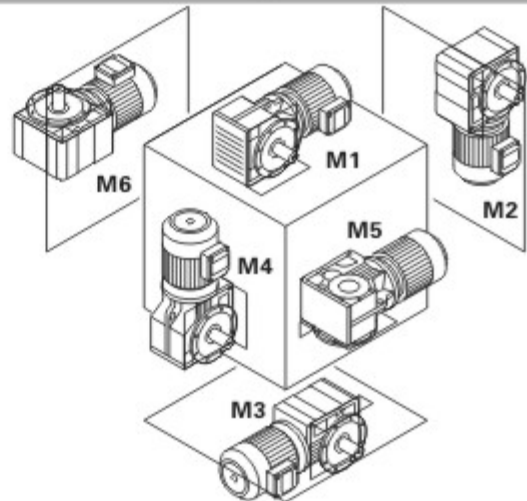
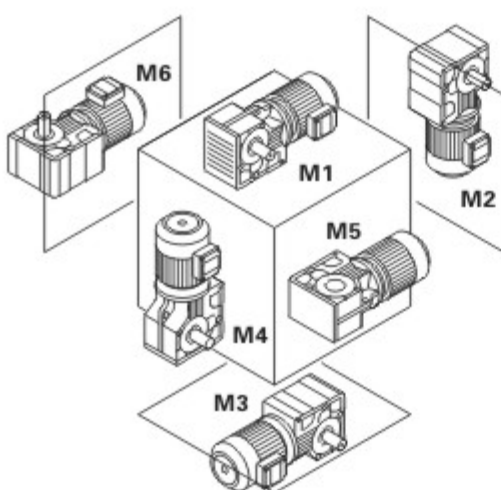
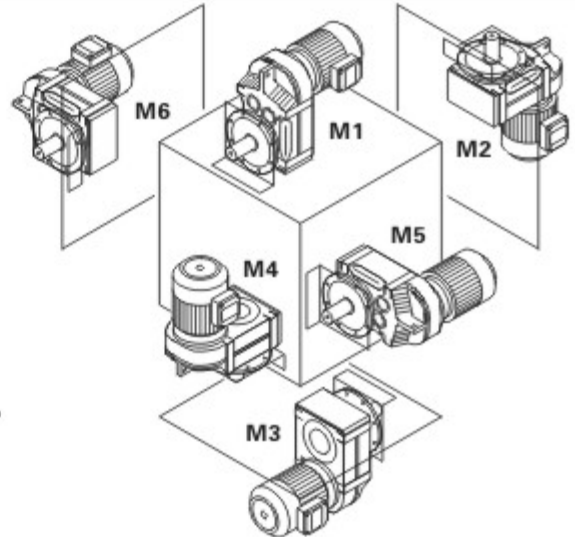
**RCR..**



**RCF..**



**RCK..  
RCS..**



RCR..

RCF..

RCK..

RCS..

RC..系列齒輪減速電機