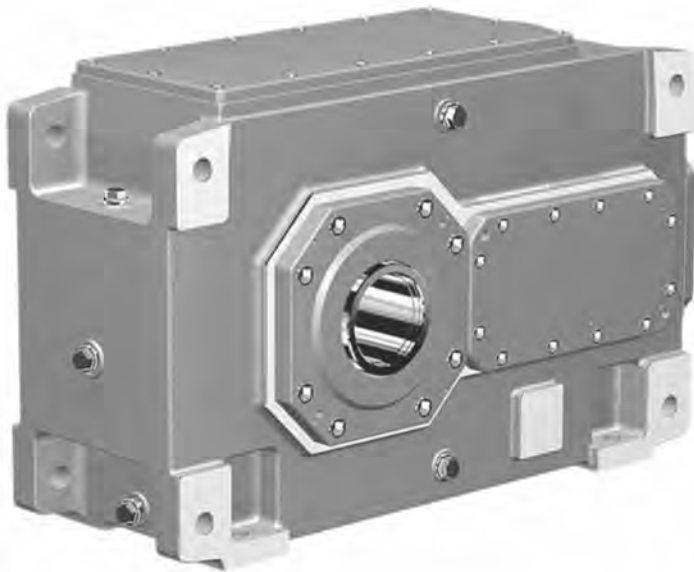




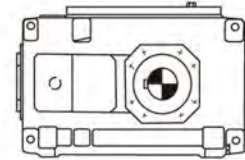
**HC系列平行轴传动工业齿轮箱**  
**HC Series Parallel Shaft Industrial Gearbox**



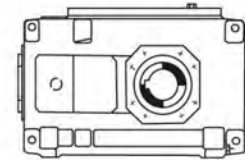
**HC系列平行轴传动工业齿轮箱**  
**HC Series Parallel Shaft Industrial Gearbox**



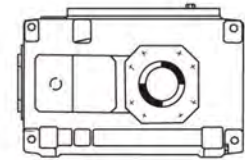
HC



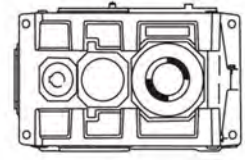
HC...SH



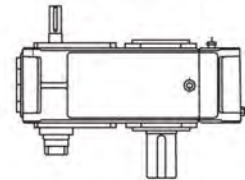
HC...HH



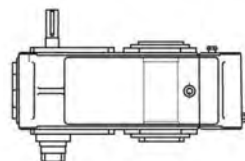
HC...DH



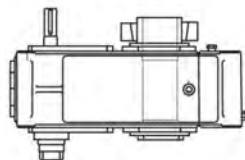
HC..HM  
HC...DM



HC...SV



HC...HV



HC...DV



HC系列型号规格与相应公称传动比一览表/ Summary table of HC series models, specifications and corresponding nominal transmission ratios

传动级数 Cooling mode	型号规格 Type Size	公称传动比 Nominal ratio																
一级传动 One-stage transmission	HC1-01	1.25	1.4	1.6	1.8	2	2.24	2.5	2.8	3.15	3.55	4	4.5	5	5.6			
	HC1-03	1.25	1.4	1.6	1.8	2	2.24	2.5	2.8	3.15	3.55	4	4.5	5	5.6			
	HC1-05	1.25	1.4	1.6	1.8	2	2.24	2.5	2.8	3.15	3.55	4	4.5	5	5.6			
	HC1-07	1.25	1.4	1.6	1.8	2	2.24	2.5	2.8	3.15	3.55	4	4.5	5	5.6			
	HC1-09	1.25	1.4	1.6	1.8	2	2.24	2.5	2.8	3.15	3.55	4	4.5	5	5.6			
	HC1-11	-	-	1.6	1.8	2	2.24	2.5	2.8	3.15	3.55	4	4.5	5	5.6			
	HC1-13	-	-	1.6	1.8	2	2.24	2.5	2.8	3.15	3.55	4	4.5	5	5.6			
	HC1-15	-	-			2	2.24	2.5	2.8	3.15	3.55	4	4.5	5	5.6			
	HC1-17	-	-						2.8	3.15	3.55	4	4.5	5	5.6			
HC1-19	-	-																
二级传动 Two-stage transmission	HC2-03	6.3	7.1	8	9	10	11.2	12.5	14	16	18	20	22.4	-	-			
	HC2-04	6.3	7.1	8	9	10	11.2	12.5	14	16	18	20	22.4	-	-			
	HC2-05	6.3	7.1	8	9	10	11.2	12.5	14	16	18	20	22.4	-	-			
	HC2-06	-	-	8	9	10	11.2	12.5	14	16	18	20	22.4	25	28			
	HC2-07	6.3	7.1	8	9	10	11.2	12.5	14	16	18	20	22.4	-	-			
	HC2-08	-	-	8	9	10	11.2	12.5	14	16	18	20	22.4	25	28			
	HC2-09	6.3	7.1	8	9	10	11.2	12.5	14	16	18	20	22.4	-	-			
	HC2-10	-	-	8	9	10	11.2	12.5	14	16	18	20	22.4	25	28			
	HC2-11	6.3	7.1	8	9	10	11.2	12.5	14	16	18	20	22.4	-	-			
	HC2-12	-	-	8	9	10	11.2	12.5	14	16	18	20	22.4	25	28			
	HC2-13	6.3	7.1	8	9	10	11.2	12.5	14	16	18	20	22.4	-	-			
	HC2-14	-	-	8	9	10	11.2	12.5	14	16	18	20	22.4	25				
	HC2-15	6.3	7.1	8	9	10	11.2	12.5	14	16	18	20	22.4	-	-			
	HC2-16	-	7.1	8	9	10	11.2	12.5	14	16	18	20	22.4	-	-			
HC2-17	6.3	7.1	8	9	10	11.2	12.5	14	16	18	20	22.4	-	-				
HC2-18	-	7.1	8	9	10	11.2	12.5	14	16	18	20	22.4	-	-				
HC2-19	6.3	7.1	8	9	10	11.2	12.5	14	16	18	20	22.4	-	-				
HC2-20	-	7.1	8	9	10	11.2	12.5	14	16	18	20	22.4	-	-				
HC2-21	-	7.1	8	9	10	11.2	12.5	14	16	18	20	22.4	-	-				
HC2-22	-	-	8	9	10	11.2	12.5	14	16	18	20	22.4	-	-				
三级传动 Three-stage transmission	HC3-05	-	25	28	31.5	35.5	40	45	50	56	63	71	80	90	-			
	HC3-06	-	-	-	31.5	35.5	40	45	50	56	63	71	80	90	100	112		
	HC3-07	-	25	28	31.5	35.5	40	45	50	56	63	71	80	90	-	-		
	HC3-08	-	-	-	31.5	35.5	40	45	50	56	63	71	80	90	100	112		
	HC3-09	-	25	28	31.5	35.5	40	45	50	56	63	71	80	90	-	-		
	HC3-10	-	-	-	31.5	35.5	40	45	50	56	63	71	80	90	100	112		
	HC3-11	-	25	28	31.5	35.5	40	45	50	56	63	71	80	90	-	-		
	HC3-12	-	-	-	31.5	35.5	40	45	50	56	63	71	80	90	100	112		
	HC3-13	22.4	25	28	31.5	35.5	40	45	50	56	63	71	80	90	-	-		
	HC3-14	-	-	28	31.5	35.5	40	45	50	56	63	71	80	90	100	112		
	HC3-15	22.4	25	28	31.5	35.5	40	45	50	56	63	71	80	90	-	-		
	HC3-16	-	25	28	31.5	35.5	40	45	50	56	63	71	80	90	100	-		
	HC3-17	22.4	25	28	31.5	35.5	40	45	50	56	63	71	80	90	-	-		
	HC3-18	-	25	28	31.5	35.5	40	45	50	56	63	71	80	90	100	-		
HC3-19	22.4	25	28	31.5	35.5	40	45	50	56	63	71	80	90	-	-			
HC3-20	-	25	28	31.5	35.5	40	45	50	56	63	71	80	90	100	-			
HC3-21	22.4	25	28	31.5	35.5	40	45	50	56	63	71	80	90	-	-			
HC3-22	-	25	28	31.5	35.5	40	45	50	56	63	71	80	90	100	-			
四级传动 Four-stage transmission	HC4-07	100	112	125	140	160	180	200	224	250	280	315	355	-	-			
	HC4-08	-	-	125	140	160	180	200	224	250	280	315	355	400	450			
	HC4-09	100	112	125	140	160	180	200	224	250	280	315	355	-	-			
	HC4-10	-	-	125	140	160	180	200	224	250	280	315	355	400	450			
	HC4-11	100	112	125	140	160	180	200	224	250	280	315	355	-	-			
	HC4-12	-	-	125	140	160	180	200	224	250	280	315	355	400	450			
	HC4-13	100	112	125	140	160	180	200	224	250	280	315	355	-	-			
	HC4-14	-	-	125	140	160	180	200	224	250	280	315	355	400	450			
	HC4-15	100	112	125	140	160	180	200	224	250	280	315	355	-	-			
	HC4-16	-	112	125	140	160	180	200	224	250	280	315	355	400	-			
	HC4-17	100	112	125	140	160	180	200	224	250	280	315	355	-	-			
	HC4-18	-	112	125	140	160	180	200	224	250	280	315	355	400	-			
	HC4-19	100	112	125	140	160	180	200	224	250	280	315	355	-	-			
	HC4-20	-	112	125	140	160	180	200	224	250	280	315	355	400	-			
HC4-21	100	112	125	140	160	180	200	224	250	280	315	355	-	-				
HC4-22	-	112	125	140	160	180	200	224	250	280	315	355	400	-				

HC



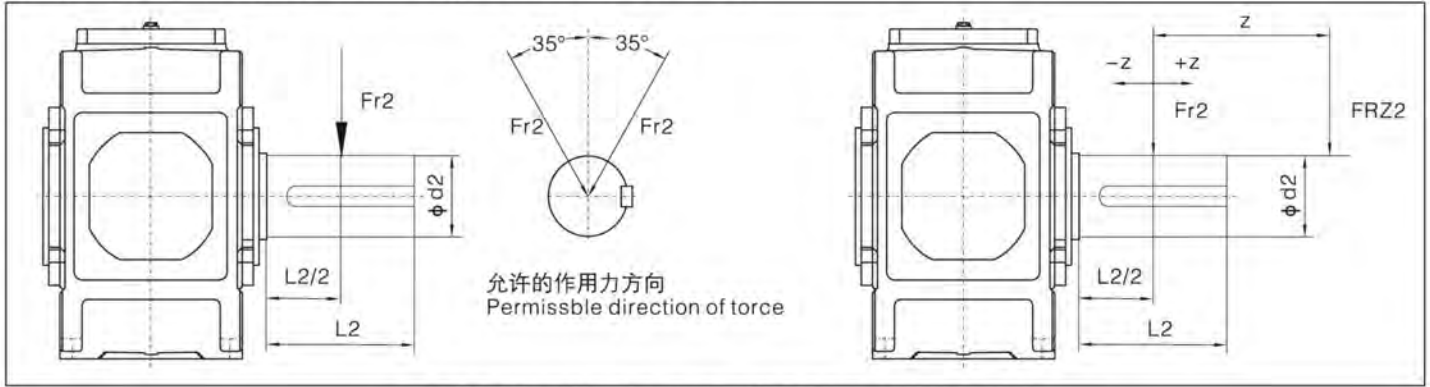
HC 4系列(四级传动 传动比*i* = 100 ~ 450 型号规格07 ~ 14)传动能力表

HC4series (Four-stage transmission, transmission ratio *i*=100 ~ 450 model, specification 07 ~ 14)transmission power table

n1 r/min	n2 r/min	<i>i</i>	HC4-07			HC4-08			HC4-09			HC4-10			HC4-11			HC4-12			HC4-13			HC4-14		
			TN2 Knm	is	PN1 kw	TN2 Knm	is	PN1 kw	TN2 Knm	is	PN1 kw	TN2 Knm	is	PN1 kw	TN2 Knm	is	PN1 kw	TN2 Knm	is	PN1 kw	TN2 Knm	is	PN1 kw	TN2 Knm	is	PN1 kw
1500	15				32																					
1000	10	100	20.5	101.55	21					34	101.21	36				60	103.64	63				88	103.11	92		
750	7.5				16							27						47						69		
1500	13.4				29							48						84						123		
1000	8.9	112	20.5	115.25	19					34	115.29	32				60	112.45	56				88	118.30	82		
750	6.7				14							24						42						62		
1500	12				26			32				43			54			75						111		137
1000	8	125	20.5	125.73	17	25.5	128.05	21	34	126.10	28	43	126.89	36	60	127.56	50	75	131.77	63	88	129.40	74	109	127.80	91
750	6				13			16				21			27			38						55		68
1500	10.7				23			29				38			48			67						99		122
1000	7.1	140	20.5	143.98	15	25.5	145.32	19	34	138.30	25	43	144.54	32	60	139.15	45	75	142.97	56	88	141.92	65	109	146.63	81
750	5.4				12			14				19			24			34						50		62
1500	9.4				20			25				33			42			59						87		107
1000	6.3	160	20.5	158.25	14	25.5	158.53	17	34	159.87	22	43	158.10	28	60	159.45	40	75	162.18	49	88	164.06	58	109	160.38	72
750	4.7				10			13				17			21			30						43		54
1500	8.3				18			22				30			37			52						76		95
1000	5.6	180	20.5	174.63	12	25.5	181.55	15	34	177.02	20	43	173.39	25	60	175.39	35	75	176.92	44	88	181.65	52	109	175.90	64
750	4.2				9			11				15			19			26						39		48
1500	7.5				16			20				27			34			47						69		86
1000	5	200	20.5	193.63	11	25.5	199.53	13	34	197.02	18	43	200.44	23	60	204.09	31	75	202.72	39	88	202.18	46	109	203.34	57
750	3.8				8.2			10				14			17			24						35		43
1500	6.7				14			18				24			30			42						62		76
1000	4.5	224	20.5	228.60	10	25.5	220.18	12	34	220.67	16	43	221.94	20	60	227.38	28	75	222.99	35	88	226.44	41	109	225.15	51
750	3.3				7.1			8.8				12			15			21						30		38
1500	6				13			16				21			27			38						55		68
1000	4	250	20.5	257.75	8.6	25.5	244.14	11	34	249.04	14	43	247.02	18	60	255.11	25	75	259.48	31	88	255.56	37	109	250.6	46
750	3				6.4			8				11			14			19						28		34
1500	5.4				12			14				19			24			34						50		62
1000	3.6	280	20.5	288.62	7.7	25.5	288.24	9.6	34	282.22	13	43	276.66	16	60	288.68	23	75	289.10	28	88	286.93	33	109	280.66	41
750	2.7				5.8			7.2				10			12			17						25		31
1500	4.8				10.3			13				17			22			30						44		55
1000	3.2	315	20.5	305.35	7	25.5	325.00	8.5	34	318.56	11	43	312.23	14	60	318.89	20	75	324.35	25	88	320.41	29	109	316.75	37
750	2.4				5.2			6.4				8.5			11			15						22		27
1500	4.2				8.6			11				15			19			26						39		48
1000	2.8	355	19.5	344.11	5.7	25.5	363.90	7.5	33	351.27	9.7	43	353.83	13	59	361.41	17	75	367.03	22	88	360.95	26	109	355.63	32
750	2.1				4.3			5.6				7.3			9.5			13						19		24
1500	3.8							10							17											43
1000	2.5	400				25.5	385.00	6.7				43	399.40	11			75	405.44	20					109	397.13	29
750	1.9							5.1						8.6										15		22
1500	3.3							8.6						14										26		38
1000	2.2	450				24.8	433.88	5.7					41.6	440.40	9.6			74	459.50	17				109	447.37	25
750	1.7							4.4						7.4										13		19



HC系列输出轴径向力/HC series output shaft radical force:



作用力在输出轴轴伸中部(图1所示) 允许的附加径向力 Fr2 (kN)值  
Permissible additional radial forces Fr2 in kN with application of force on centre of shaft end

类型 Type	布置形式 Design	齿轮箱规格 / Gear unit size																	
		01	02	03	04	05	06	07	08	09	10	11	12	13	14	15	16	17	18
HC1SH	A/B	*	—	*	—	*	—	*	—	*	—	*	—	*	—	*	—	*	—
HC2S	A/B/G/H	—	—	8	10	22	22	30	30	30	45	64	64	150	150	150	205	205	205
	C/D	—	—	8	10	13	13	18	18	18	28	35	35	112	112	112	135	135	135
HC3S	A/B/G/H	—	—	—	—	29	29	40	40	40	60	85	85	190	190	180	265	265	265
	C/D	—	—	—	—	18	18	26	26	26	40	50	50	150	150	150	185	185	190
HC4S	A/B	—	—	—	—	—	—	26	26	26	40	50	50	150	150	150	185	185	190
	C/D	—	—	—	—	—	—	40	40	40	60	85	85	190	190	185	265	265	265

允许轴端外部径向力(图2所示)  $FRZ2 = Fr2 \times K$  Permissible external radial force  $FRZ2 = Fr2 \times k$

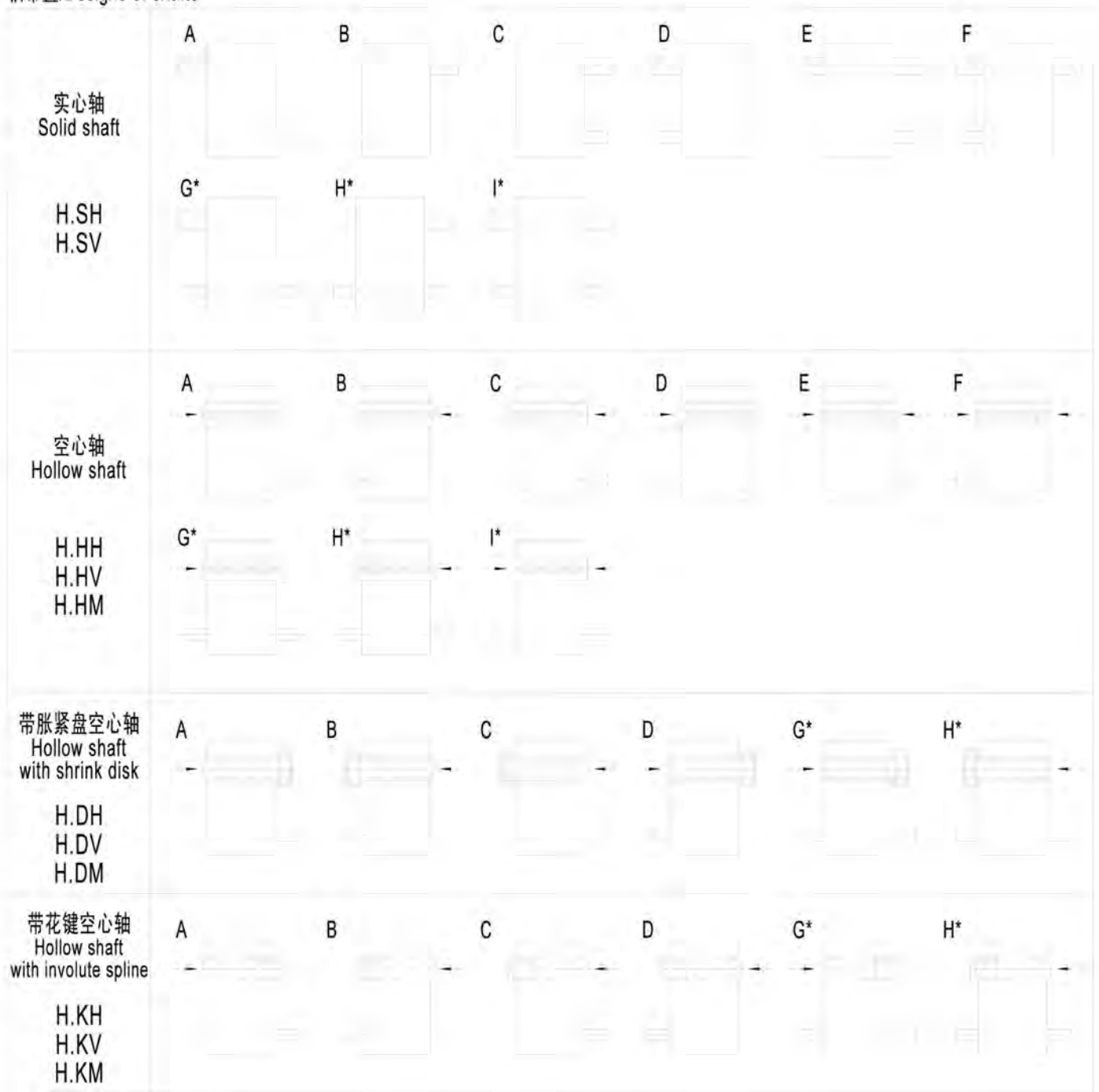
距离Z Distance z in mm	作用力系数K Factor of application of force k																	
	01	02	03	04	05	06	07	08	09	10	11	12	13	14	15	16	17	18
-200																		1.25
-150													1.24		1.2			1.17
-100									1.22		1.18		1.15		1.12			1.11
-75						1.22		1.19		1.15		1.13		1.11		1.09		1.08
-50				1.21	1.17		1.14		1.12		1.1		1.08		1.07		1.06	1.05
-25	1.11	1.11	1.09	1.08		1.06		1.06		1.05		1.04		1.03		1.03		1.03
0	1	1	1	1	1	1	1	1	1	1	1	1	1	1	1	1	1	1
25	0.81	0.83	0.85	0.86	0.88	0.89	0.89	0.9	0.9	0.91	0.91	0.92	0.92	0.93	0.93	0.94	0.94	0.94
50	0.68	0.71	0.74	0.76	0.79	0.81	0.81	0.82	0.82	0.84	0.84	0.86	0.86	0.87	0.87	0.88	0.88	0.88
75	0.58	0.63	0.65	0.68	0.72	0.74	0.74	0.76	0.76	0.78	0.78	0.8	0.8	0.82	0.82	0.84	0.84	0.84
100	0.51	0.56	0.58	0.62	0.66	0.68	0.68	0.7	0.7	0.73	0.73	0.75	0.75	0.77	0.77	0.79	0.79	0.79
15			0.48	0.52	0.56	0.58	0.58	0.61	0.61	0.64	0.64	0.67	0.67	0.69	0.69	0.72	0.72	0.72
200				0.44	0.49	0.51	0.51	0.54	0.54	0.57	0.57	0.6	0.6	0.63	0.63	0.66	0.66	0.66
250					0.43	0.46	0.46	0.48	0.48	0.51	0.51	0.55	0.55	0.58	0.58	0.6	0.6	0.6
300							0.41	0.44	0.44	0.47	0.47	0.5	0.5	0.53	0.53	0.56	0.56	0.56





H系列布置形式/ H series designs:

轴布置/Designs of shafts



HC

*) 当布置形式 GI/II 在右表中I时 不可供货 *) Designs GI/II with I values shown in the right hand table are on request	type	size																≥19
		4	5	6	7	8	9	10	11	12	13	14	15	16	17	18		
H2	20 22.4	20 22.4	25 28	18 20 22.4	22.4 25 28	18 20 22.4	22.4 25 28	20 22.4	25 28	18 20	22.4 25	18 20	20 22.4	18 20	20 22.4			
H3	/	80 90	100 112	80 90	100 112	90	112	80 90	100 112	80 90	100 112	90	100	90	100			
H4	/	/	/	250 280 315 355	280 315 355 400	280 315 355	355 400 450	280 315 355	355 400 450	280 315 355	355 400 450	280 315 355	315 355 400	280 315 355	315 355 400	敬请垂询 On request		

敬请垂询  
On request



旋转方向关系/ Direction of rotation:

H1.H	A	B			
H2.H H2.M	A	B	C	D	E
H2.V	A	B	C	D	E
H3.H H3.M	A	B	C	D	E
H3.V	A	B	C	D	E
H4.H H4.M	A	B	C	D	E
H4.V	A	B	C	D	E
	F	G**	H**	I**	
	F	G**	H**	I**	

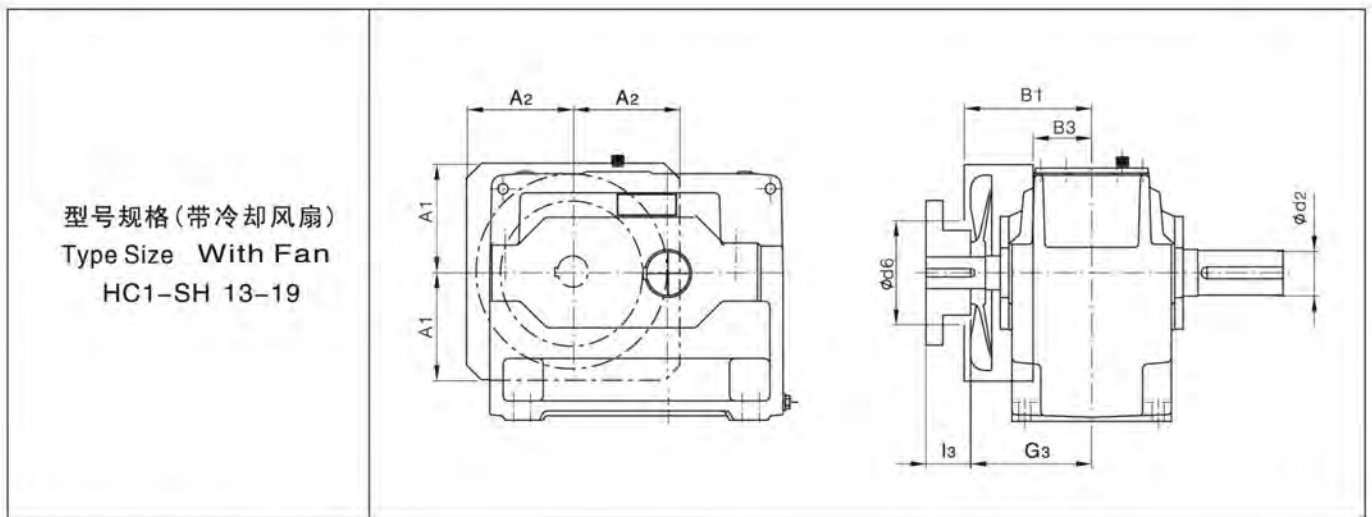
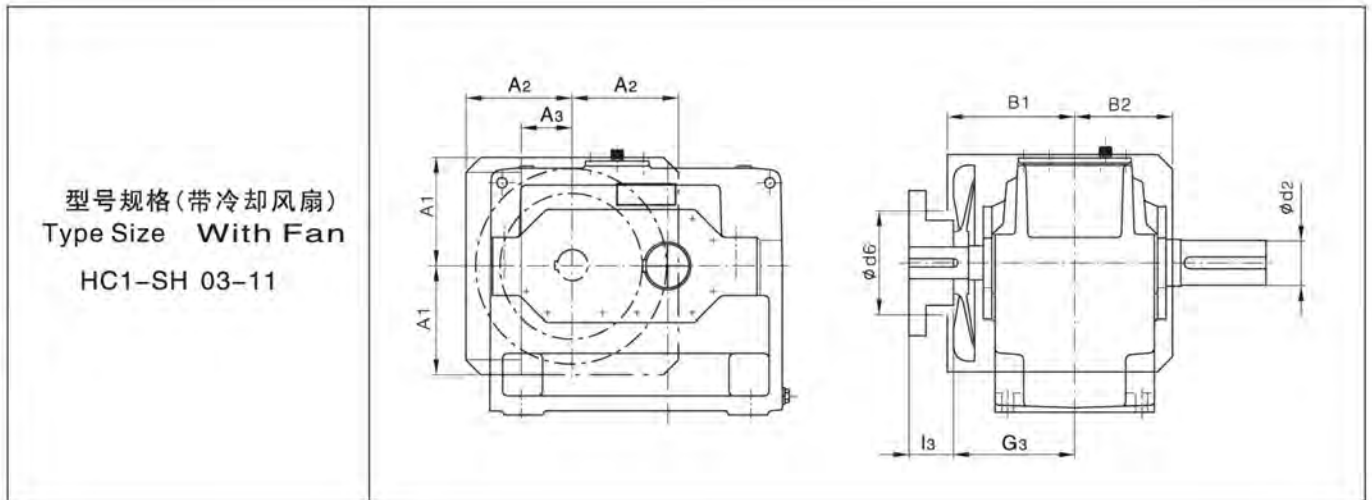
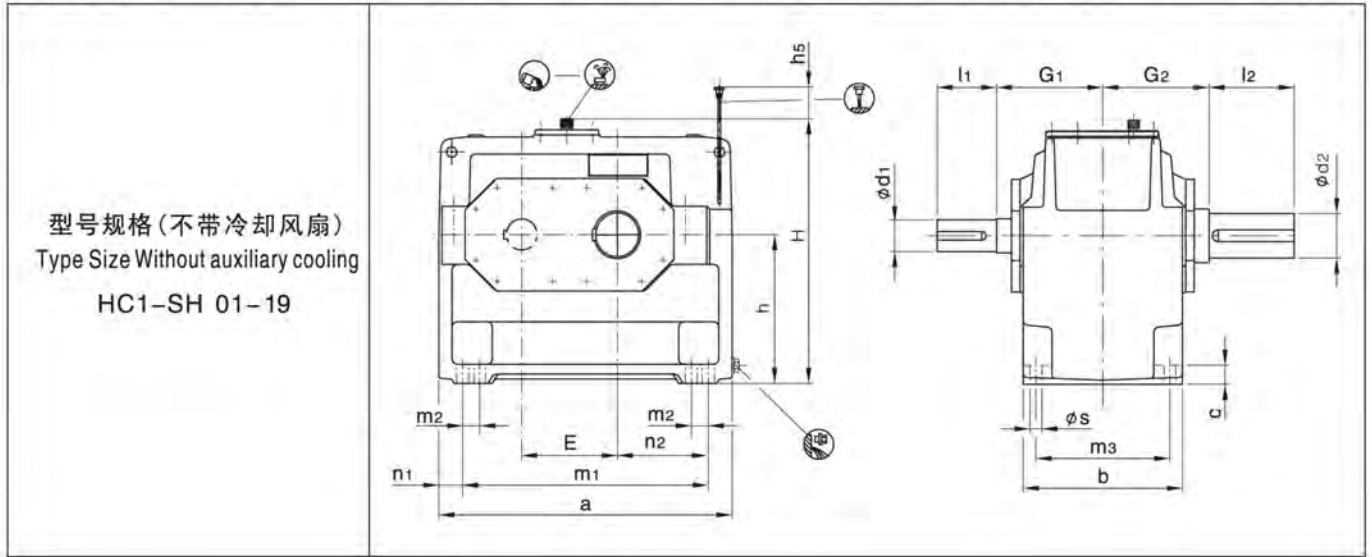
注：1. 齿轮箱可双向旋转，图中“ ”为轴端油泵；2. “\*\*”只适合4-16型。

Note: 1. Direction of rotation of the gear unit is reversible. The symbol “ ” in the graphs stands for shaft end oil pump; 2. “\*\*” Only suit for size 4-16.



HC1-H(-级传动卧式安装型号规格01-19)外型及安装尺寸

HC1-S (One-stage transmission horizontal installation model, specification 01-19) external form and installation dimension



在标注尺寸图样上给出符号说明。  
The sign descriptions are given on the drawing marked with dimensions



油尺 Oil dipstick



加油孔 Oil filler



通气孔 Breather



放油孔 Oil drain





HC1-H (一级传动卧式安装型号规格01~19)外型及安装尺寸

HC1-H (One-stage transmission horizontal installation model, specification 01-19) external form and installation dimension

型号规格 Type Size	输入轴尺寸 mm Input shaft dimension mm														
	l=1.25~2.8			l=1.6~2.8			l=2~2.8			l=3.15~4			l=4.5~5.6		
	φd1	l1	l3	d1	l1	l3	φd1	l1	l3	φd1	l1	l3	φd1	l1	l3
HC1-01	40	70								30	50		24	40	
HC1-03	60	125	105							45	100	80	32	80	60
HC1-05	85	160	130							60	135	105	50	110	80
HC1-07	100	200	165							75	140	105	60	140	105
HC1-09	110	200	165							90	165	130	75	140	105
HC1-11				130	240	205				110	205	170	90	170	135
HC1-13				150	245	200				130	245	200	100	210	165
HC1-15							180	290	240	150	250	200	125	250	200
HC1-17							200	330	280	170	290	240	140	250	200
HC1-19							220	340	290	190	340	290	160	300	250

型号规格 Type Size	外型及安装尺寸mm External form and installation dimension mm																					
	G1	G3	a	A1	A2	A3	b	B1	B2	B3	C	φd6	E	h	h5	H	m1	m2	m3	n1	n2	φs
HC1-01	110		295				150				18		90	140	55	290	220		120	37.5	80	12
HC1-03	170	190	420	150	145	80	200	205	130		28	130	130	200	85	400	310		160	55	110	19
HC1-05	210	240	580	225	215	115	285	255	185		35	190	185	290	100	550	440		240	70	160	24
HC1-07	250	285	690	255	255	120	375	300	230		45	245	225	350	75	630	540		315	75	195	28
HC1-09	280	315	805	300	265	140	425	330	265		50	280	265	420	50	750	625		350	90	225	35
HC1-11	325	360	960	360	330	190	515	375	320		60	350	320	500	40	860	770		440	95	280	35
HC1-13	365	410	1100	415	350		580	430		150	70	350	370	580	40	1050	870		490	115	315	42
HC1-15	360	410	1295	500	430		545	430		120	80	450	442	600	10	1150	1025		450	135	370	48
HC1-17	400	450	1410	550	430		615	470		150	80	445	490	670		1270	1170	130	530	120	425	42
HC1-19	440	490	1590	630	475		690	510		190	90	445	555	760		1430	1290	150	590	150	465	48

HC

型号规格 Type Size	输出轴尺寸 mm Input shaft dimension mm			润滑油 Oil	重量 (kg) Weight
	φd2	G2	l2		
HC1-01	45	110	80	2.5	55
HC1-03	60	170	125	7	128
HC1-05	85	210	160	22	302
HC1-07	105	250	200	42	547
HC1-09	125	270	210	68	862
HC1-11	150	320	240	120	1515
HC1-13	180	360	310	175	2395
HC1-15	220	360	350	190	3200
HC1-17	240	400	400	270	4250
HC1-19	270	440	450	390	5800

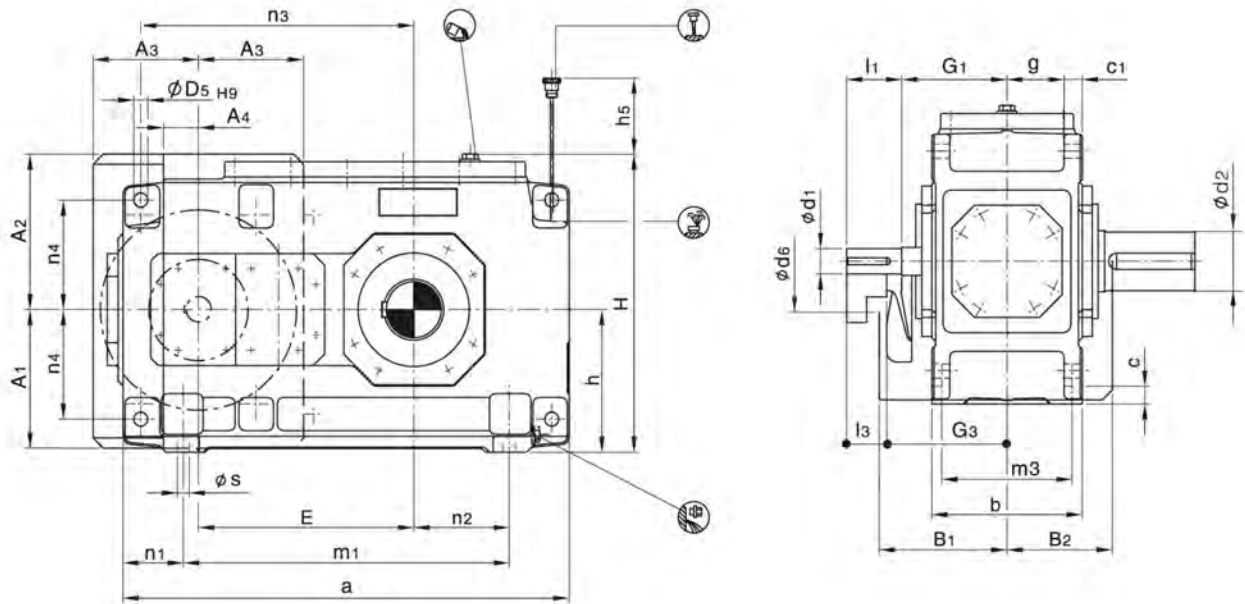




HC2-H(二级传动卧式安装型号规格03-12)外型及安装尺寸

HC2-H (Two-stage transmission horizontal installation model, specification 03-12) external form and installation dimension

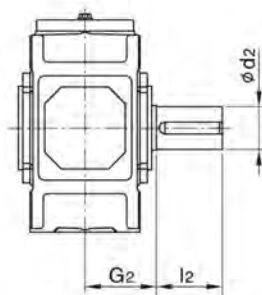
HC2-SH, HC2-HH, HC2-DH



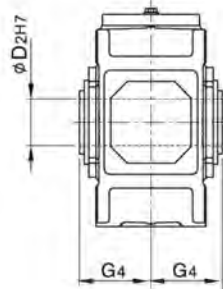
HC

输出形式 Output mode

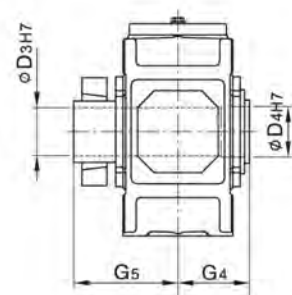
HC2-SH  
实心轴 Solid shaft



HC2-HH  
空心轴 Hollow shaft



HC2-DH  
带胀紧盘空心轴  
Hollow shaft for shrink disk





HC2-H (二级传动卧式安装型号规格03~12)外型及安装尺寸

HC2-H (Two-stage transmission horizontal installation model, specification 03-12) external form and installation dimension

型号规格 Type Size	输入轴尺寸mm Input shaft dimension mm											
	l=6.3~11.2			l=8~14			l=12.5~22.4			l=16~28		
	φd1	l1	l3	φd1	l1	l3	d1	l1	l3	φd1	l1	l3
HC2-03	35	60					28	50				
HC2-04	45	100	80				32	80	60			
HC2-05	50	100	80				38	80	60			
HC2-06				50	100	80				38	80	60
HC2-07	60	135	105				50	110	80			
HC2-08				60	135	105				50	110	80
HC2-09	75	140	110				60	140	110			
HC2-10				75	140	110				60	140	110
HC2-11	90	165	130				70	140	105			
HC2-12				90	165	130				70	140	105

型号规格 Type Size	外型及安装尺寸mm External form and installation dimension mm												
	G1	G3	a	A1	A2	A3	A4	b	B1	B2	C	C1	φD5
HC2-03	135		450					190			22	24	18
HC2-04	170	190	565	195	225	150	30	215	205	158	28	30	24
HC2-05	195	215	640	225	260	175	55	255	230	178	28	30	24
HC2-06	195	215	720	225	260	175	55	255	230	178	28	30	24
HC2-07	210	240	785	272	305	210	70	300	255	210	35	36	28
HC2-08	210	240	890	272	305	210	70	300	255	210	35	36	28
HC2-09	240	270	925	312	355	240	100	370	285	245	40	45	36
HC2-10	240	270	1025	312	355	240	100	370	285	245	40	45	36
HC2-11	275	310	1105	372	420	285	135	430	325	285	50	54	40
HC2-12	275	310	1260	372	420	285	135	430	325	285	50	54	40

型号规格 Type Size	外型及安装尺寸mm External form and installation dimension mm												
	φd6	E	g	h	h5	H	m1	m3	n1	n2	n3	n4	S
HC2-03		220	71	175	110	380	290	160	80	65	285	132.5	15
HC2-04	136	270	77.5	200	110	440	355	180	105	85	345	150	19
HC2-05	150	315	97.5	230	150	500	430	220	105	100	405	180	19
HC2-06	150	350	97.5	230	150	500	510	220	105	145	440	180	19
HC2-07	200	385	114	280	190	600	545	260	120	130	500	215	24
HC2-08	200	430	114	280	190	600	650	260	120	190	545	215	24
HC2-09	200	450	140	320	205	675	635	320	145	155	585	245	28
HC2-10	200	500	140	320	215	675	735	320	145	205	635	245	28
HC2-11	210	545	161	380	250	800	775	370	165	180	710	300	35
HC2-12	210	615	161	380	250	810	930	370	165	265	780	300	35

HC

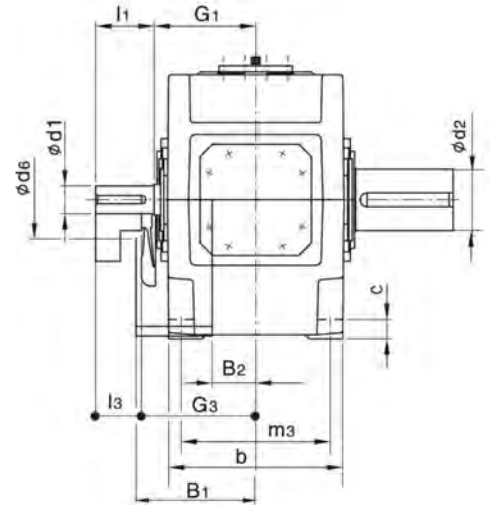
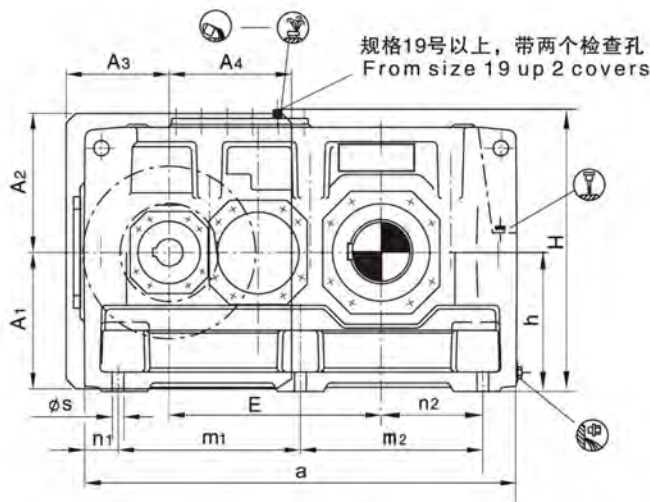
型号规格 Type Size	输出轴尺寸mm Input shaft dimension mm									润滑油 Oil	重量 (kg) Weight
	HC2-SH			HC2-HH		HC2-DH					
	φd2	G2	l2	φD2	G4	φD3	φD4	G4	G5		
HC2-03	65	125	140	65	125	70	70	125	180	6	115
HC2-04	80	140	170	80	140	85	85	140	205	10	190
HC2-05	100	165	210	95	165	100	100	165	240	15	300
HC2-06	110	165	210	105	165	110	110	165	240	16	355
HC2-07	120	195	210	115	195	120	120	195	280	27	505
HC2-08	130	195	250	125	195	130	130	195	285	30	590
HC2-09	140	235	250	135	235	140	145	235	330	42	830
HC2-10	160	235	300	150	235	150	155	235	350	45	960
HC2-11	170	270	300	165	270	165	170	270	400	71	1335
HC2-12	180	270	300	180	270	180	185	270	405	76	1615



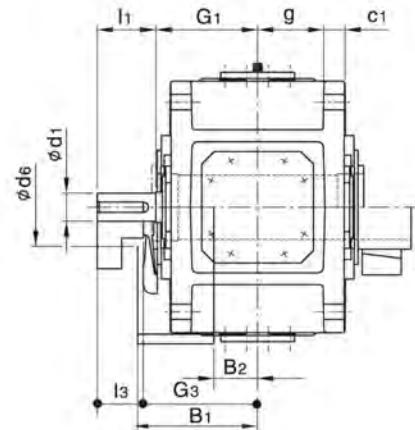
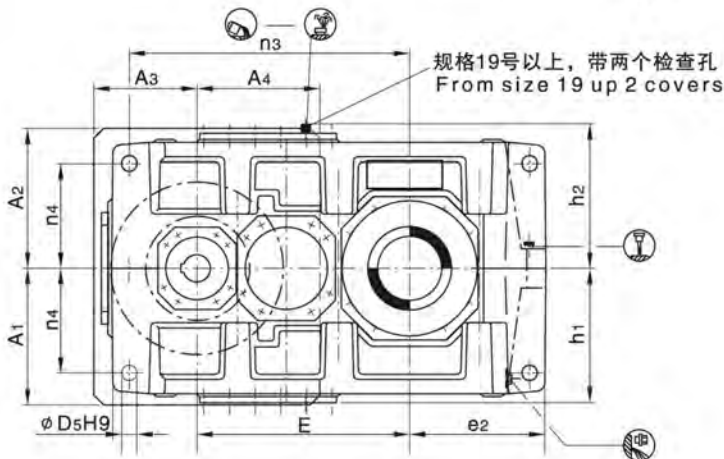
HC2-H(二级传动卧式安装型号规格13-22)外型及安装尺寸

HC2-H (Two-stage transmission horizontal installation model, specification 13-22) external form and installation dimension

HC2-SH.HC2-HH.HC2-DH

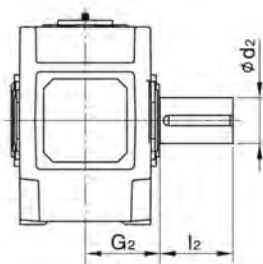


HC2-HM.HC2-DM

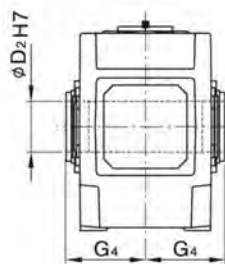


输出形式 Output mode

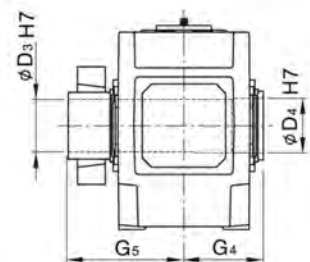
HC2-SH  
实心轴 Solid shaft



HC2-HH.HC2-HM  
空心轴 Hollow shaft



HC2-DH.HC2-DM  
带胀紧盘空心轴  
Hollow shaft for shrink disk







HC2-H (二级传动卧式安装型号规格13~22)外型及安装尺寸

HC2-H (Two-stage transmission horizontal installation model, specification 13~22) external form and installation dimension

型号规格 Type Size	输入轴尺寸mm Input shaft dimension mm																	
	l=6.3~11.2			l=7.1~12.5			l=8~14			l=12.5~20			l=14~22.4			l=16~25		
	φd1	l1	l3	d1	l1	l3	φd1	l1	l3	φd1	l1	l3	φd1	l1	l3	φd1	l1	l3
HC2-13	100	205	170							85	170	135						
HC2-14							100	205	170							85	170	135
HC2-15	120	210	165							100	210	165						
HC2-16				120	210	165							100	210	165			
HC2-17	125	245	200							110	210	165						
HC2-18				125	245	200							110	210	165			
HC2-19	150	245	200							120	210	165						
HC2-20				150	245	200							120	210	165			
HC2-21	170	290	240							140	250	200						
HC2-22				170	290	240							140	250	200			

型号规格 Type Size	外型及安装尺寸mm External form and installation dimension mm														
	G1	G3	a	A1	A2	A3	A4	b	B1	B2	C	C1	φd6	φD5	e2
HC2-13	330	365	1290	430	460	330	365	550	385	135	60	61	250	48	405
HC2-14	330	365	1430	430	460	330	365	550	385	135	60	61	250	48	475
HC2-15	365	410	1550	490	500	370	440	625	430	155	70	72	280	55	485
HC2-16	365	410	1640	490	500	370	440	625	430	155	70	72	280	55	530
HC2-17	420	465	1740	540	565	435	505	690	485	140	80	81	280	55	525
HC2-18	420	465	1860	540	565	435	505	690	485	140	80	81	280	55	585
HC2-19	475	520	2010	600	600	500	450	790	540	190	90	91	310	65	590
HC2-20	475	520	2130	600	600	500	450	790	540	190	90	91	310	65	650
HC2-21	495	545	2140	680	680	500	610	830	565	200	100	100	450	75	655
HC2-22	495	545	2150	680	680	500	610	830	565	200	100	100	450	75	710

型号规格 Type Size	外型及安装尺寸mm External form and installation dimension mm													
	E	g	h	h1	h2	H	m1	m2	m3	n1	n2	n3	n4	φS
HC2-13	635	211.5	440	450	485	935	545	545	475	100	305	835	340	35
HC2-14	705	211.5	440	450	485	935	545	685	475	100	375	905	340	35
HC2-15	762	238	500	490	545	1035	655	655	535	120	365	1005	375	42
HC2-16	808	238	500	490	545	1035	655	745	535	120	410	1050	375	42
HC2-17	860	259	550	555	590	1145	735	735	600	135	390	1145	425	42
HC2-18	920	259	550	555	590	1145	735	855	600	135	450	1205	425	42
HC2-19	997	299	620	615	660	1275	850	850	690	155	435	1345	475	48
HC2-20	1057	299	620	615	660	1275	850	970	690	155	495	1405	475	48
HC2-21	1067	310	700	685	740	1425	900	900	720	170	485	1400	520	56
HC2-22	1122	310	700	685	740	1425	900	1010	720	170	540	1455	520	56

HC

型号规格 Type Size	输出轴尺寸mm Input shaft dimension mm									润滑油 Oil		重量 (kg) Weight	
	HC2-SH			HC2-HH	HC2-HM	HC2-DH		HC2-DM		HC2-H	HC2-M	HC2-H	HC2-M
	φd2	G2	l2	φD2	G4	φD3	φD4	G4	G5				
HC2-13	200	335	350	190	335	190	195	335	480	135	110	2000	1880
HC2-14	210	335	350	210	335	210	215	335	480	140	115	2570	2430
HC2-15	230	380	410	230	380	230	235	380	550	210	160	3430	3240
HC2-16	240	380	410	240	380	240	245	380	550	215	165	3655	3465
HC2-17	250	415	410	250	415	250	260	415	600	290	230	4650	4420
HC2-18	270	415	470	275	415	280	285	415	600	300	240	5125	4870
HC2-19	290	465	470			285	295	465	670	320	300	5250	5000
HC2-20	300	465	500			310	315	465	670	340	320	6550	6150
HC2-21	320	490	500			330	335	490	715	320	350	7200	6950
HC2-22	340	490	550			340	345	490	725	340	370	7800	7550

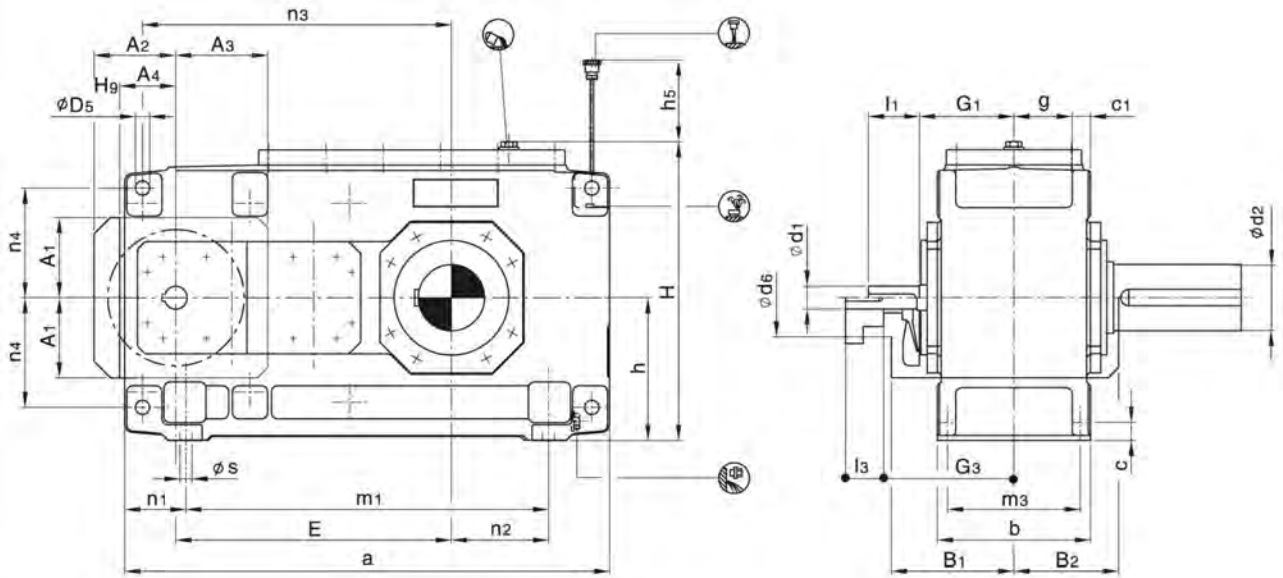




HC3-H(三级传动卧式安装型号规格05-12)外型及安装尺寸

HC3-H (Three-stage transmission horizontal installation model, specification 05-12) external form and installation dimension

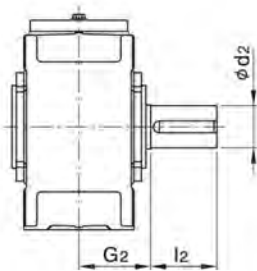
HC3-SH, HC3-HH, HC3-DH



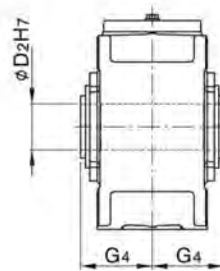
HC

输出形式 Output mode

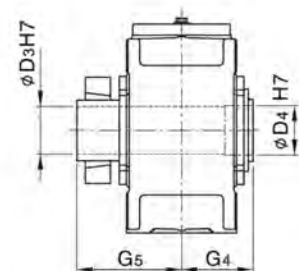
HC3-SH  
实心轴 Solid shaft



HC3-HH  
空心轴 Hollow shaft



HC3-DH  
带胀紧盘空心轴  
Hollow shaft for shrink disk





HC3-H (三级传动卧式安装型号规格05~12)外型及安装尺寸

HC3-H (Three-stage transmission horizontal installation model, specification 05-12) external form and installation dimension

型号规格 Type Size	输入轴尺寸mm Input shaft dimension mm																	
	l=25~45			l=31.5~56			l=50~63			l=63~80			l=71~90			l=90~112		
	φd1	l1	l3	φd1	l1	l3	φd1	l1	l3	φd1	l1	l3	φd1	l1	l3	φd1	l1	l3
HC3-05	40	70	70				30	50	50				24	40	40			
HC3-06				40	70	70				30	50	50				24	40	40
HC3-07	45	80	80				35	60	60				28	50	50			
HC3-08				45	80	80				35	60	60				28	50	50
HC3-09	60	125	105				45	100	80				32	80	60			
HC3-10				60	125	105				45	100	80				32	80	60
HC3-11	70	120	120				50	80	80				42	70	70			
HC3-12				70	120	120				50	80	80				42	70	70

型号规格 Type Size	外型及安装尺寸mm External form and installation dimension mm													
	G1	G3	a	A1	A2	A3	A4	b	B1	B2	C	C1	φd6	
HC3-05	160	220	690	137	135	140	80	255	215	175	28	30	60	
HC3-06	160	220	770	137	135	140	80	255	215	175	28	30	60	
HC3-07	185	250	845	157	160	180	100	300	245	205	35	36	75	
HC3-08	185	250	950	157	160	180	100	300	245	205	35	36	75	
HC3-09	230	300	1000	182	190	205	120	370	295	240	40	45	90	
HC3-10	230	300	1100	182	190	205	120	370	295	240	40	45	90	
HC3-11	255	330	1200	218	220	255	150	430	325	280	50	54	100	
HC3-12	255	330	1355	218	220	255	150	430	325	280	50	54	100	

型号规格 Type Size	外型及安装尺寸mm External form and installation dimension mm													
	φD5	E	g	h	h5	H	m1	m3	n1	n2	n3	n4	φS	
HC3-05	24	405	97.5	230	130	512	480	220	105	100	455	180	19	
HC3-06	24	440	97.5	230	130	512	560	220	105	145	490	180	19	
HC3-07	28	495	114	280	170	602	605	260	120	130	560	215	24	
HC3-08	28	540	114	280	160	617	710	260	120	190	605	215	24	
HC3-09	36	580	140	320	185	697	710	320	145	155	660	245	28	
HC3-10	36	630	140	320	185	697	810	320	145	205	710	245	28	
HC3-11	40	705	161	380	180	817	870	370	165	180	805	300	35	
HC3-12	40	775	161	380	170	825	1025	370	165	265	875	300	35	

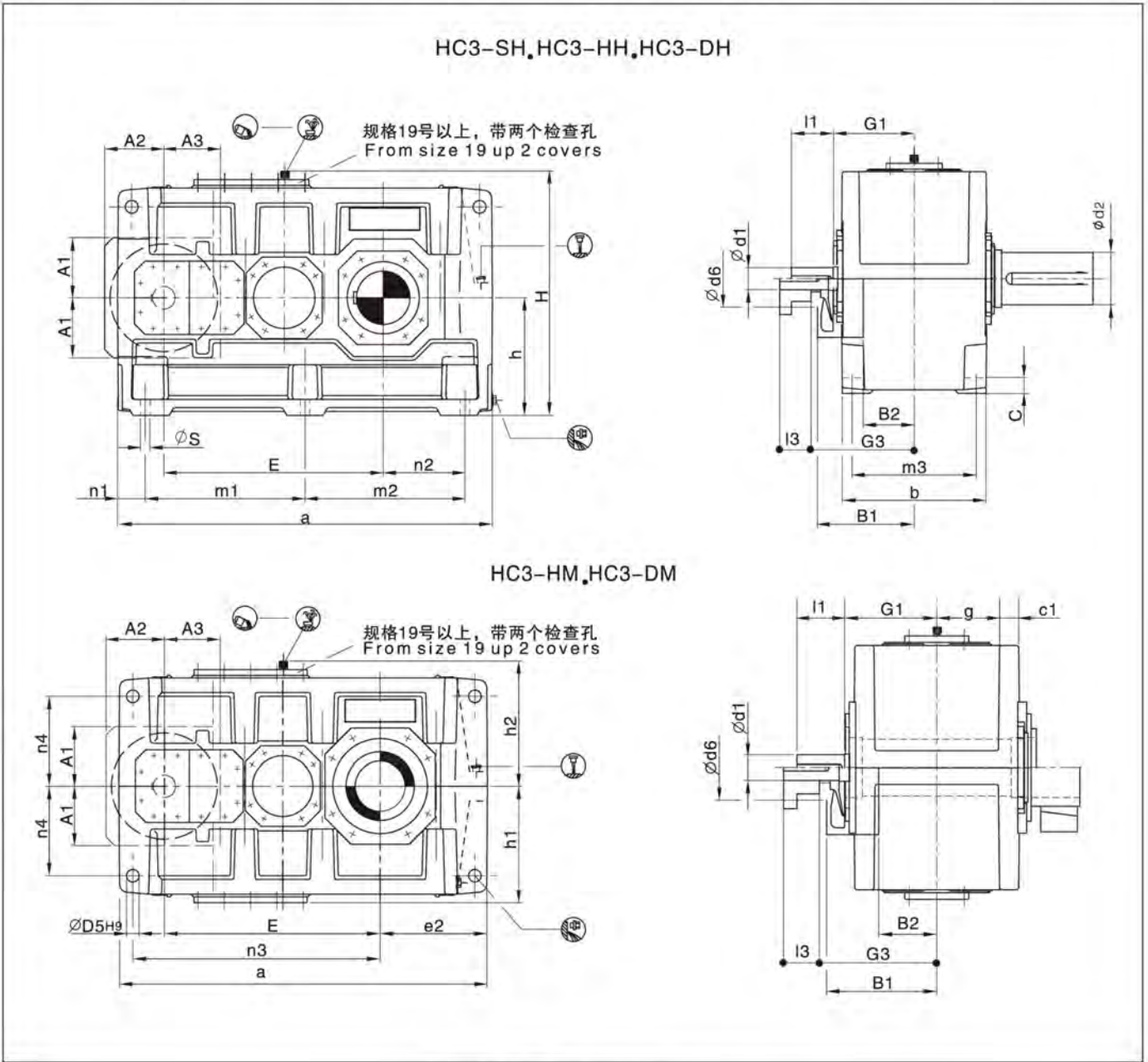
HC

型号规格 Type Size	输出轴尺寸mm Input shaft dimension mm										润滑油 Oil	重量 (kg) Weight
	HC3-SH			HC3-HH		HC3-DH						
	φd2	G2	l2	φD2	G4	φD3	φD4	G4	G5			
HC3-05	100	165	210	95	165	100	100	165	240	15	320	
HC3-06	110	165	210	105	165	110	110	165	240	17	365	
HC3-07	120	195	210	115	195	120	120	195	280	28	540	
HC3-08	130	195	250	125	195	130	130	195	285	30	625	
HC3-09	140	235	250	135	235	140	145	235	330	45	875	
HC3-10	160	235	300	150	235	150	155	235	350	46	1020	
HC3-11	170	270	300	165	270	165	170	270	400	85	1400	
HC3-12	180	270	300	180	270	180	185	270	405	90	1675	



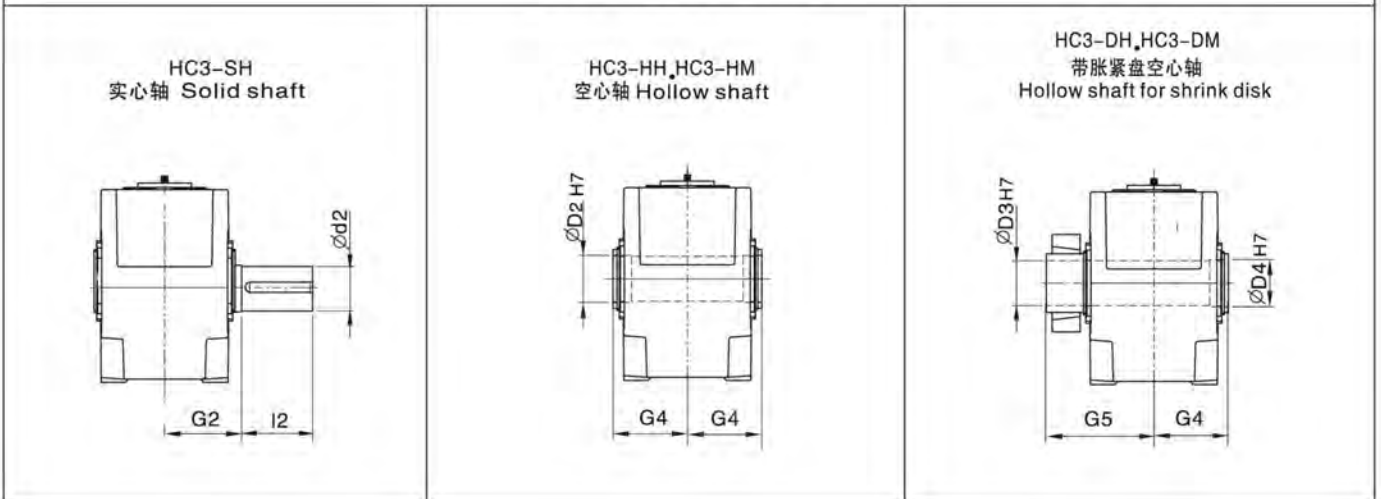
HC3-H(三级传动卧式安装型号规格13-22)外型及安装尺寸

HC3-H (Three-stage transmission horizontal installation model, specification 13-22) external form and installation dimension



HC

输出形式 Output mode







### HC3-H (三级传动卧式安装型号规格13~22)外型及安装尺寸

HC3-H (Three-stage transmission horizontal installation model, specification 13-22) external form and installation dimension

型号规格 Type Size	输入轴尺寸mm Input shaft dimension mm																	
	l=22.4~45			l=25~50 l=28~56*			l=50~63			l=56~71 l=63~80*			l=71~90			l=80~100 l=90~112*		
	φd1	l1	l3	φd1	l1	l3	φd1	l1	l3	φd1	l1	l3	φd1	l1	l3	φd1	l1	l3
HC3-13	85	160	130				60	135	105				50	110	80			
HC3-14				85	160	130				60	135	105				50	110	80
HC3-15	100	200	165				75	140	105				60	140	105			
HC3-16				100	200	165				75	140	105				60	140	105
HC3-17	100	200	165				75	140	105				60	140	105			
HC3-18				100	200	165				75	140	105				60	140	105
HC3-19	110	200	#				90	165	#				75	140	#			
HC3-20				110	200	#				90	165	#				75	140	#
HC3-21	130	240	#				110	205	#				90	170	#			
HC3-22				130	240	#				110	205	#				90	170	#

型号规格 Type Size	外型及安装尺寸mm External form and installation dimension mm														
	G1	G3	a	A1	A2	A3	b	B1	B2	C	C1	φd6	φD5	e2	
HC3-13	310	385	1395	225	225	212	550	380	195	60	61	120	48	405	
HC3-14	310	385	1535	225	225	212	550	380	195	60	61	120	48	475	
HC3-15	350	420	1680	270	265	252	625	415	205	70	72	150	55	485	
HC3-16	350	420	1770	270	265	252	625	415	205	70	72	150	55	530	
HC3-17	380	450	1770	270	265	252	690	455	235	80	81	150	55	525	
HC3-18	380	450	1890	270	265	252	690	455	235	80	81	150	55	585	
HC3-19	430	#	2030	#	#	#	790	#	#	90	91	#	65	590	
HC3-20	430	#	2150	#	#	#	790	#	#	90	91	#	65	650	
HC3-21	470	#	2340	#	#	#	830	#	#	100	100	#	75	655	
HC3-22	470	#	2450	#	#	#	830	#	#	100	100	#	75	710	

型号规格 Type Size	外型及安装尺寸mm External form and installation dimension mm													
	E	g	h	h1	h2	H	m1	m2	m3	n1	n2	n3	n4	φS
HC3-13	820	211.5	440	450	485	935	597.5	597.5	475	100	305	940	340	35
HC3-14	890	211.5	440	450	485	935	597.5	737.5	475	100	375	1010	340	35
HC3-15	987	238	500	490	545	1035	720	720	535	120	365	1135	375	42
HC3-16	1033	238	500	490	545	1035	720	810	535	120	410	1180	375	42
HC3-17	1035	259	550	555	590	1145	750	750	600	135	390	1175	425	42
HC3-18	1095	259	550	555	590	1145	750	870	600	135	450	1235	425	42
HC3-19	1190	299	620	615	660	1275	860	860	690	155	435	1365	475	48
HC3-20	1250	299	620	615	660	1275	860	980	690	155	495	1425	475	48
HC3-21	1387	310	700	685	740	1425	1000	1000	720	170	485	1615	520	56
HC3-22	1442	310	700	685	740	1425	1000	1110	720	170	540	1670	520	56

HC

型号规格 Type Size	输出轴尺寸mm Input shaft dimension mm										润滑油 Oil		重量 (kg) Weight	
	HC3-SH			HC3-HH	HC3-HM	HC3-DH		HC3-DM		HC3-H	HC3-M	HC3-H	HC3-M	
	φd2	G2	l2	φD2	G4	φD3	φD4	G4	G5					
HC3-13	200	335	350	190	335	190	195	335	480	160	125	2295	2155	
HC3-14	210	335	350	210	335	210	215	335	480	165	130	2625	2490	
HC3-15	230	380	410	230	380	230	235	380	550	235	190	3475	3260	
HC3-16	240	380	410	240	380	240	245	380	550	245	195	3875	3625	
HC3-17	250	415	410	250	415	250	260	415	600	305	240	4560	4250	
HC3-18	270	415	470	275	415	280	285	415	600	315	250	5030	4740	
HC3-19	290	465	470			285	295	465	670	420	390	5050	4750	
HC3-20	300	465	500			310	315	465	670	450	415	6650	6250	
HC3-21	320	490	500			330	335	490	715	470	515	6950	6550	
HC3-22	340	490	550			340	345	490	725	490	540	7550	7050	

备注: 1. 传动栏中有\*符号的仅指14号机型

Notes: 1. Items with \* inside transmission column only denote NO.14 machine type.

2. 尺寸栏中带有#符号的按客户要求订货

2. Items with # inside dimension column can be ordered according to customer's request

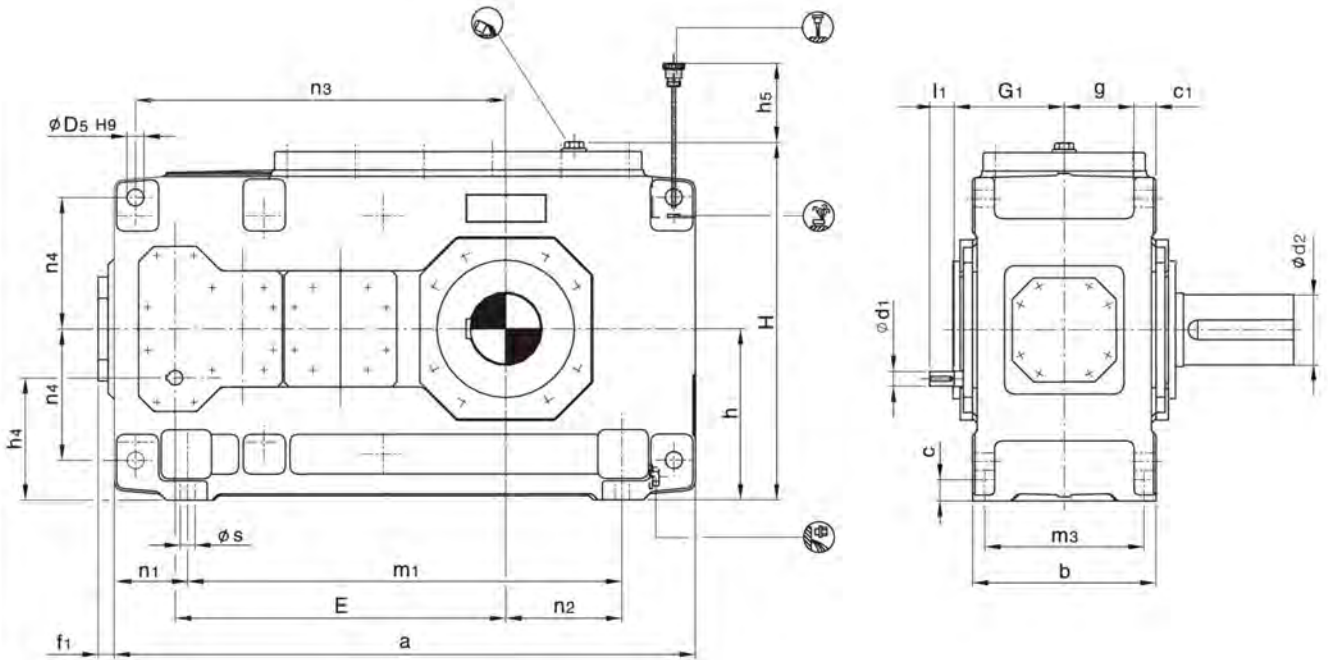




HC4-H(四级传动卧式安装型号规格07-12)外型及安装尺寸

HC4-H (Four-stage transmission horizontal installation model, specification 07-12) external form and installation dimension

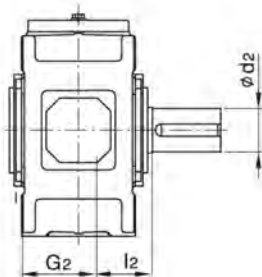
HC4-SH, HC4-HH, HC4-DH



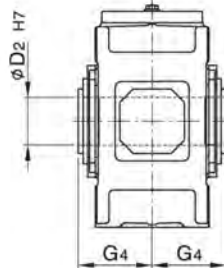
HC

输出形式 Output mode

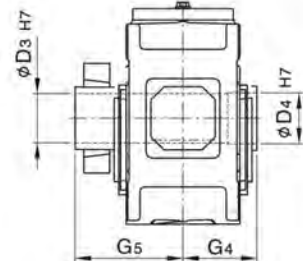
HC4-SH  
实心轴 Solid shaft



HC4-HH  
空心轴 Hollow shaft



HC4-DH  
带胀紧盘空心轴  
Hollow shaft for shrink disk





## HC4-H (四级传动卧式安装型号规格07~12) 外型及安装尺寸

HC4-H (Four-stage transmission horizontal installation model, specification 07-12) external form and installation dimension

型号规格 Type Size	输入轴尺寸mm Input shaft dimension mm							
	l=100~180		l=125~224		l=200~355		l=250~450	
	φd1	l1	φd1	l1	φd1	l1	φd1	l1
HC4-07	30	50			24	40		
HC4-08			30	50			24	40
HC4-09	35	60			28	50		
HC4-10			35	60			28	50
HC4-11	45	100			32	80		
HC4-12			45	100			32	80

型号规格 Type Size	外型及安装尺寸mm External form and installation dimension mm									
	G1	a	b	C	C1	φD5	E	f1	g	h
HC4-07	180	845	300	35	36	28	495	37	114	280
HC4-08	180	950	300	35	36	28	540	37	114	280
HC4-09	215	1000	370	40	45	36	580	43	140	320
HC4-10	215	1100	370	40	45	36	630	43	140	320
HC4-11	250	1200	430	50	54	40	705	47	161	380
HC4-12	250	1355	430	50	54	40	775	47	161	380

型号规格 Type Size	外型及安装尺寸mm External form and installation dimension mm									
	h4	h5	H	m1	m3	n1	n2	n3	n4	φS
HC4-07	200	140	602	605	260	120	130	560	215	24
HC4-08	200	140	617	710	260	120	190	605	215	24
HC4-09	230	150	697	710	320	145	155	660	245	28
HC4-10	230	150	697	810	320	145	205	710	245	28
HC4-11	270	165	817	870	370	165	180	805	300	35
HC4-12	270	165	825	1025	370	165	265	875	300	35

型号规格 Type Size	输出轴尺寸mm Input shaft dimension mm									润滑油 Oil	重量 (kg) Weight
	HC4-SH			HC4-HH		HC4-DH					
	φd2	G2	l2	φD2	G4	φD3	φD4	G4	G5		
HC4-07	120	195	210	115	195	120	120	195	280	25	550
HC4-08	130	195	250	125	195	130	130	195	285	27	645
HC4-09	140	235	250	135	235	140	145	235	330	48	875
HC4-10	160	235	300	150	235	150	155	235	350	50	1010
HC4-11	170	270	300	165	270	165	170	270	400	80	1460
HC4-12	180	270	300	180	270	180	185	270	405	87	1725



HC4-H (四级传动卧式安装型号规格13~22)外型及安装尺寸

HC4-H (Four-stage transmission horizontal installation model, specification 13-22) external form and installation dimension

型号规格 Type Size	输入轴尺寸mm Input shaft dimension mm											
	l=100~180		l=112~200		l=125~224		l=200~355		l=224~400		l=250~450	
	φd1	l1	φd1	l1	φd1	l1	φd1	l1	φd1	l1	φd1	l1
HC4-13	50	100					38	80				
HC4-14					50	100					38	80
HC4-15	60	135					50	110				
HC4-16			60	135					50	110		
HC4-17	60	105					50	80				
HC4-18			60	105					50	80		
HC4-19	75	105					60	105				
HC4-20			75	105					60	105		
HC4-21	90	165					70	140				
HC4-22			90	165					70	140		

型号规格 Type Size	外型及安装尺寸mm External form and installation dimension mm											
	G1	a	b	C	C1	φD5	e2	E	E1	f1	g	h
HC4-13	305	1395	550	60	61	48	405	820	130	47	211.5	440
HC4-14	305	1535	550	60	61	48	475	890	130	47	211.5	440
HC4-15	345	1680	625	70	72	55	485	987	160	56	238	500
HC4-16	345	1770	625	70	72	55	530	1033	160	56	238	500
HC4-17	380	1770	690	80	81	55	525	1035	160	53	259	550
HC4-18	380	1890	690	80	81	55	585	1095	160	53	259	550
HC4-19	440	2030	790	90	91	65	590	1190	185	53	299	620
HC4-20	440	2150	790	90	91	65	650	1250	185	53	299	620
HC4-21	460	2340	830	100	100	75	655	1387	225	62	310	700
HC4-22	460	2450	830	100	100	75	710	1442	225	62	310	700

型号规格 Type Size	外型及安装尺寸mm External form and installation dimension mm											
	h1	h2	h4	H	m1	m2	m3	n1	n2	n3	n4	φS
HC4-13	450	485	310	935	597.5	597.5	475	100	305	940	340	35
HC4-14	450	485	310	935	597.5	737.5	475	100	375	1010	340	35
HC4-15	490	545	340	1035	720	720	535	120	365	1135	375	42
HC4-16	490	545	340	1035	720	810	535	120	410	1180	375	42
HC4-17	555	590	390	1145	750	750	600	135	390	1175	425	42
HC4-18	555	590	390	1145	750	870	600	135	450	1235	425	42
HC4-19	615	660	435	1275	860	860	690	155	435	1365	475	48
HC4-20	615	660	435	1275	860	980	690	155	495	1425	475	48
HC4-21	685	740	475	1425	1000	1000	720	170	485	1615	520	56
HC4-22	685	740	475	1425	1000	1110	720	170	540	1670	520	56

型号规格 Type Size	输出轴尺寸mm Input shaft dimension mm									润滑油 Oil		重量 (kg) Weight	
	HC4-SH			HC4-HH	HC4-HM	HC4-DH		HC4-DM		HC4-H	HC4-M	HC4-H	HC4-M
	φd2	G2	l2	φD2	G4	φD3	φD4	G4	G5				
HC4-13	200	335	350	190	335	190	195	335	480	130	120	2390	2270
HC4-14	210	335	350	210	335	210	215	335	480	140	125	2730	2600
HC4-15	230	380	410	230	380	230	235	380	550	230	170	3635	3440
HC4-16	240	380	410	240	380	240	245	380	550	235	175	3965	3740
HC4-17	250	415	410	250	415	250	260	415	600	290	225	4680	4445
HC4-18	270	415	470	275	415	280	285	415	600	305	230	5185	4915
HC4-19	290	465	470			285	295	465	670	360	310	5700	5300
HC4-20	300	465	500			310	315	465	670	380	330	6400	5950
HC4-21	320	490	500			330	335	490	715	395	430	7750	7250
HC4-22	340	490	550			340	345	490	725	420	450	8350	7750

HC



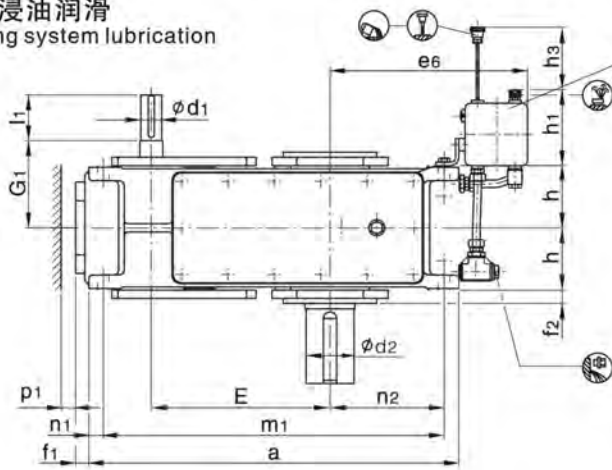


HC2-V(二级传动立式安装型号规格03-12)外型及安装尺寸

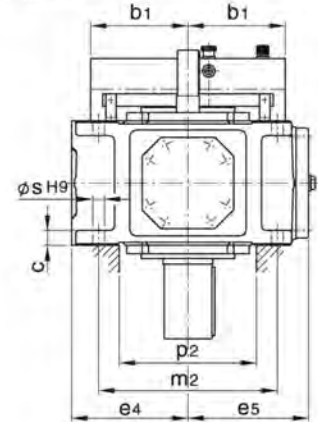
HC2-V (Two-stage transmission vertical installation model, specification 03-12) external form and installation dimension

HC2-SV, HC2-HV, HC2-DV

采用浸油润滑  
Adopt flooding system lubrication

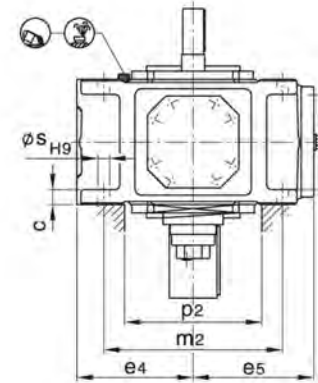
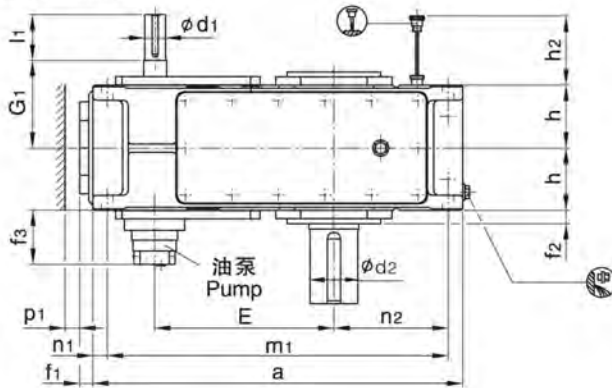


补偿油箱  
Oil compensating tank



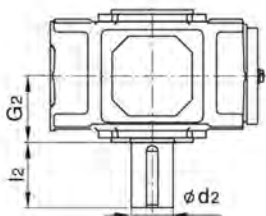
HC2-SV, HC2-HV, HC2-DV

采用强制润滑  
Adopt forced lubrication

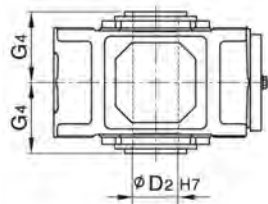


输出形式 Output mode

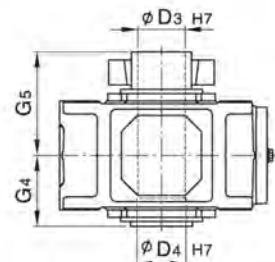
HC2-SV  
实心轴 Solid shaft



HC2-HV  
空心轴 Hollow shaft



HC2-DV  
带胀紧盘空心轴  
Hollow shaft for shrink disk







HC2-V(二级传动立式安装型号规格03~12)外型及安装尺寸

HC2-V (Two-stage transmission vertical installation model, specification 03-12) external form and installation dimension

型号规格 Type Size	输入轴尺寸mm Input shaft dimension mm							
	l=6.3~11.2		l=8~14		l=12.5~22.4		l=16~28	
	φd1	l1	φd1	l1	φd1	l1	φd1	l1
HC2-03	35	60			28	50		
HC2-04	45	100			32	80		
HC2-05	50	100			38	80		
HC2-06			50	100			38	80
HC2-07	60	135			50	110		
HC2-08			60	135			50	110
HC2-09	75	140			60	140		
HC2-10			75	140			60	140
HC2-11	90	165			70	140		
HC2-12			90	165			70	140

型号规格 Type Size	外型及安装尺寸mm External form and installation dimension mm										
	G1	a	b1	C	e4	e5	e6	E	f1	f2	f3
HC2-03	135	450	150	24	175	185	290	220	28	20	
HC2-04	170	565	150	30	200	215	320	270	28	22	
HC2-05	195	640	240	30	230	252	385	315	38	28	150
HC2-06	195	720	240	30	230	252	425	350	38	28	150
HC2-07	210	785	240	36	280	292	425	385	42	30	145
HC2-08	210	890	240	36	280	302	485	430	42	32	145
HC2-09	240	925	330	45	320	342	560	450	42	32	135
HC2-10	240	1025	330	45	320	342	610	500	42	32	135
HC2-11	275	1105	330	54	380	402	595	545	48	35	145
HC2-12	275	1260	330	54	380	410	680	615	48	35	145

型号规格 Type Size	外型及安装尺寸mm External form and installation dimension mm										
	h	h1	h2	h3	m1	m2	n1	n2	P1	P2	φS
HC2-03	95	165		180	410	265	20	125	35	210	18
HC2-04	107.5	165		180	505	300	30	160	35	220	24
HC2-05	127.5	205	190	240	580	360	30	175	35	270	24
HC2-06	127.5	205	190	240	660	360	30	220	35	270	24
HC2-07	150	205	165	250	715	430	35	215	35	330	28
HC2-08	150	205	165	250	820	430	35	275	35	330	28
HC2-09	185	275	205	330	845	490	40	260	40	370	36
HC2-10	185	275	205	330	945	490	40	310	40	370	36
HC2-11	215	275	240	340	1005	600	50	295	50	440	40
HC2-12	215	275	240	340	1160	600	50	380	50	440	40

型号规格 Type Size	输出轴尺寸mm Input shaft dimension mm									润滑油 Oil		重量 (kg) Weight
	HC2-SV			HC2-HV		HC2-DV				浸油润滑 Dip lubrication	强制润滑 Forced lubrication	
	φd2	G2	l2	φD2	G4	φD3	φD4	G4	G5			
HC2-03	65	125	140	65	125	70	70	125	180	14		115
HC2-04	80	140	170	80	140	85	85	140	205	23		190
HC2-05	100	165	210	95	165	100	100	165	240	25	10	300
HC2-06	110	165	210	105	165	110	110	165	240	27	11	355
HC2-07	120	195	210	115	195	120	120	195	280	58	22	505
HC2-08	130	195	250	125	195	130	130	195	285	62	25	590
HC2-09	140	235	250	135	235	140	145	235	330	100	42	830
HC2-10	160	235	300	150	235	150	155	235	350	110	46	960
HC2-11	170	270	300	165	270	165	170	270	400	160	60	1335
HC2-12	180	270	300	180	270	180	185	270	405	180	70	1615

HC

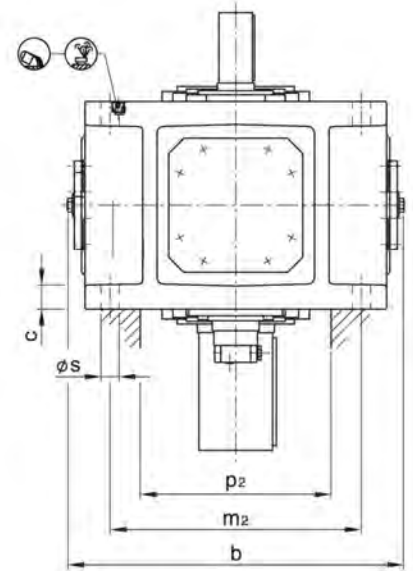
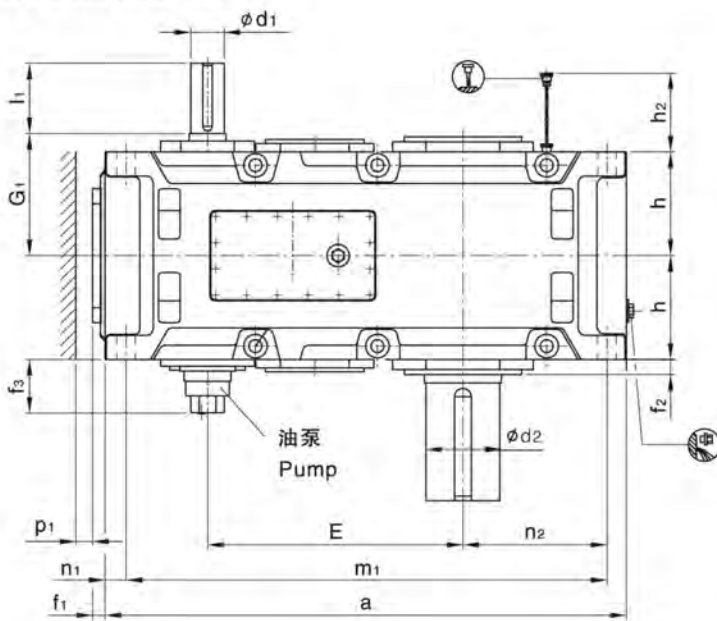


HC2-V(二级传动立式安装型号规格13-22)外型及安装尺寸

HC2-V (Two-stage transmission vertical installation model, specification 13-22) external form and installation dimension

HC2-SV, HC2-HV, HC2-DV

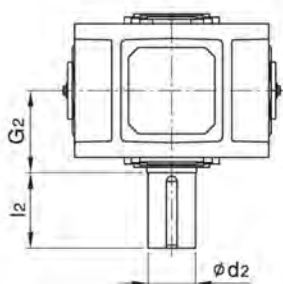
采用强制润滑  
Adopt forced lubrication



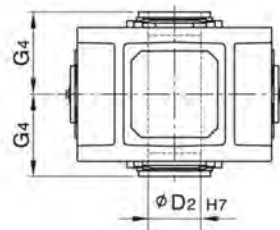
HC

输出形式 Output mode

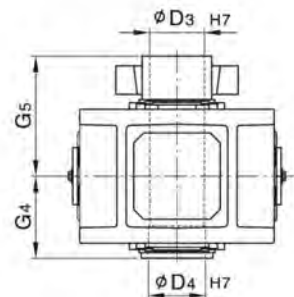
HC2-SV  
实心轴 Solid shaft



HC2-HV  
空心轴 Hollow shaft



HC2-DV  
带胀紧盘空心轴  
Hollow shaft for shrink disk





HC2-V (二级传动立式安装型号规格13~22)外型及安装尺寸

HC2-V (Two-stage transmission vertical installation model, specification 13-22) external form and installation dimension

型号规格 Type Size	输入轴尺寸mm Input shaft dimension mm											
	l=6.3~11.2		l=7.1~12.5		l=8~14		l=12.5~20		l=14~22.4		l=16~25	
	φd1	l1	φd1	l1	φd1	l1	φd1	l1	φd1	l1	φd1	l1
HC2-13	100	205					85	170				
HC2-14					100	205					85	170
HC2-15	120	210					100	210				
HC2-16			120	210					100	210		
HC2-17	125	245					110	210				
HC2-18			125	245					110	210		
HC2-19	按用户要求供货 Goods can be supplied according to customer's request.											
HC2-20												
HC2-21												
HC2-22												

型号规格 Type Size	外型及安装尺寸mm External form and installation dimension mm																
	G1	a	b	C	E	f1	f2	f3	h	h2	m1	m2	n1	n2	P1	P2	φS
HC2-13	330	1290	900	61	635	53	35	130	272.5	300	1195	680	50	360	50	500	48
HC2-14	330	1430	900	61	705	53	35	130	272.5	300	1335	680	50	430	50	500	48
HC2-15	365	1550	980	72	762	63	42	130	310	340	1435	750	60	430	50	570	55
HC2-16	365	1640	980	72	808	63	42	130	310	340	1525	750	60	475	50	570	55
HC2-17	420	1740	1110	81	860	60	42	170	340	374	1610	850	70	465	70	630	55
HC2-18	420	1860	1110	81	920	60	42	170	340	374	1730	850	70	525	70	630	55
HC2-19	按用户要求供货 Goods can be supplied according to customer's request.																
HC2-20																	
HC2-21																	
HC2-22																	

HC

型号规格 Type Size	输出轴尺寸mm Input shaft dimension mm									润滑油 Oil	重量 (kg) Weight
	HC2-SV			HC2-HV		HC2-DV					
	φd2	G2	l2	φD2	G4	φD3	φD4	G4	G5		
HC2-13	200	335	350	190	335	190	195	335	480	80	1880
HC2-14	210	335	350	210	335	210	215	335	480	90	2430
HC2-15	230	380	410	230	380	230	235	380	550	140	3240
HC2-16	240	380	410	240	380	240	245	380	550	150	3465
HC2-17	250	415	410	250	415	250	260	415	600	175	4420
HC2-18	270	415	470	275	415	280	285	415	600	185	4870
HC2-19	按用户要求供货 Goods can be supplied according to customer's request.										
HC2-20											
HC2-21											
HC2-22											



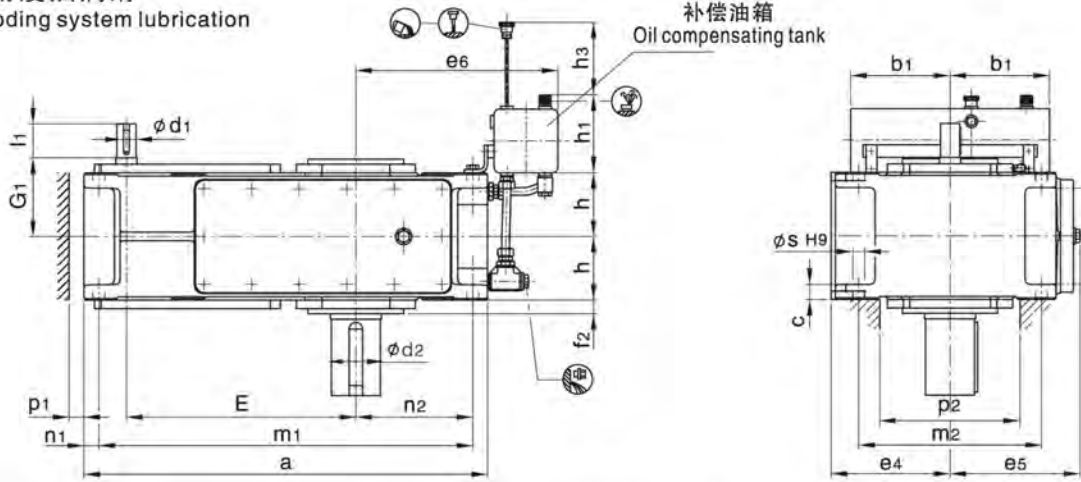


HC3-V(三级传动立式安装型号规格05-12)外型及安装尺寸

HC3-V (Three-stage transmission vertical installation model, specification 05-12) external form and installation dimension

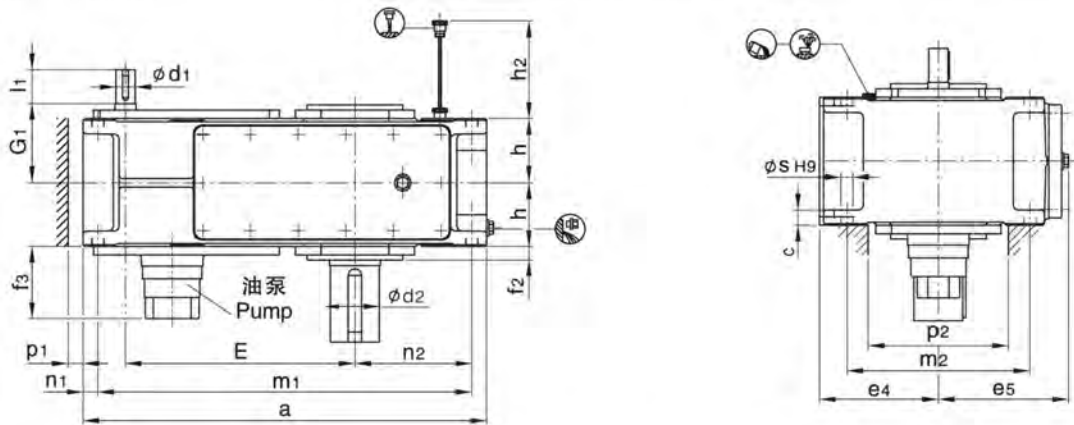
HC3-SV, HC3-HV, HC3-DV

采用浸油润滑  
Adopt flooding system lubrication



采用强制润滑  
Adopt forced lubrication

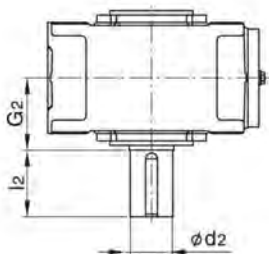
HC3-SV, HC3-HV, HC3-DV



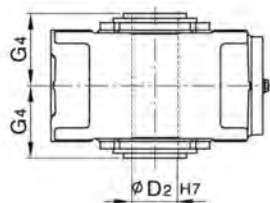
HC

输出形式 Output mode

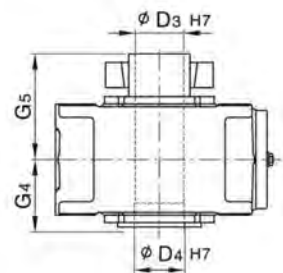
HC3-SV  
实心轴 Solid shaft



HC3-HV  
空心轴 Hollow shaft



HC3-DV  
带胀紧盘空心轴  
Hollow shaft for shrink disk





### HC3-V(三级传动立式安装型号规格05~12)外型及安装尺寸

HC3-V (Three-stage transmission vertical installation model, specification 05-12) external form and installation dimension

型号规格 Type Size	输入轴尺寸mm Input shaft dimension mm											
	l=25~45		l=31.5~56		l=50~63		l=63~80		l=71~90		l=90~112	
	φd1	l1	φd1	l1	φd1	l1	φd1	l1	φd1	l1	φd1	l1
HC3-05	40	70			30	50			24	40		
HC3-06			40	70			30	50			24	40
HC3-07	45	80			35	60			28	50		
HC3-08			45	80			35	60			28	50
HC3-09	60	125			45	100			32	80		
HC3-10			60	125			45	100			32	80
HC3-11	70	120			50	80			42	70		
HC3-12			70	120			50	80			42	70

型号规格 Type Size	外型及安装尺寸mm External form and installation dimension mm									
	G1	a	b1	C	e4	e5	e6	E	f2	f3
HC3-05	160	690	240	30	230	252	385	405	28	190
HC3-06	160	770	240	30	230	252	425	440	28	190
HC3-07	185	845	240	36	280	292	425	495	30	185
HC3-08	185	950	240	36	280	312	485	540	32	185
HC3-09	230	1000	330	45	320	342	560	580	32	170
HC3-10	230	1100	330	45	320	342	610	630	32	170
HC3-11	255	1200	330	54	380	402	595	705	35	170
HC3-12	255	1355	330	54	380	410	680	775	35	170

型号规格 Type Size	外型及安装尺寸mm External form and installation dimension mm										
	h	h1	h2	h3	m1	m2	n1	n2	P1	P2	φS
HC3-05	127.5	205	190	240	630	360	30	175	35	270	24
HC3-06	127.5	205	190	240	710	360	30	220	35	270	24
HC3-07	150	205	165	250	775	430	35	215	35	330	28
HC3-08	150	205	165	250	880	430	35	275	35	330	28
HC3-09	185	275	205	330	920	490	40	260	40	370	36
HC3-10	185	275	205	330	1020	490	40	310	40	370	36
HC3-11	215	275	240	340	1100	600	50	295	50	440	40
HC3-12	215	275	240	340	1255	600	50	380	50	440	40

HC

型号规格 Type Size	输出轴尺寸mm Input shaft dimension mm									润滑油 Oil		重量 (kg) Weight
	HC3-SV			HC3-HV		HC3-DV				浸油润滑 Dip lubrication	强制润滑 Forced lubrication	
	φd2	G2	l2	φD2	G4	φD3	φD4	G4	G5			
HC3-05	100	165	210	95	165	100	100	165	240	35	13	320
HC3-06	110	165	210	105	165	110	110	165	240	37	15	365
HC3-07	120	195	210	115	195	120	120	195	280	60	25	540
HC3-08	130	195	250	125	195	130	130	195	285	72	30	625
HC3-09	140	235	250	135	235	140	145	235	330	100	40	875
HC3-10	160	235	300	150	235	150	155	235	350	110	45	1020
HC3-11	170	270	300	165	270	165	170	270	400	170	66	1400
HC3-12	180	270	300	180	270	180	185	270	405	190	75	1675

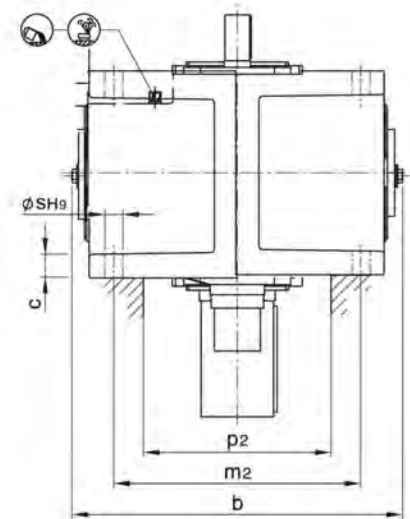
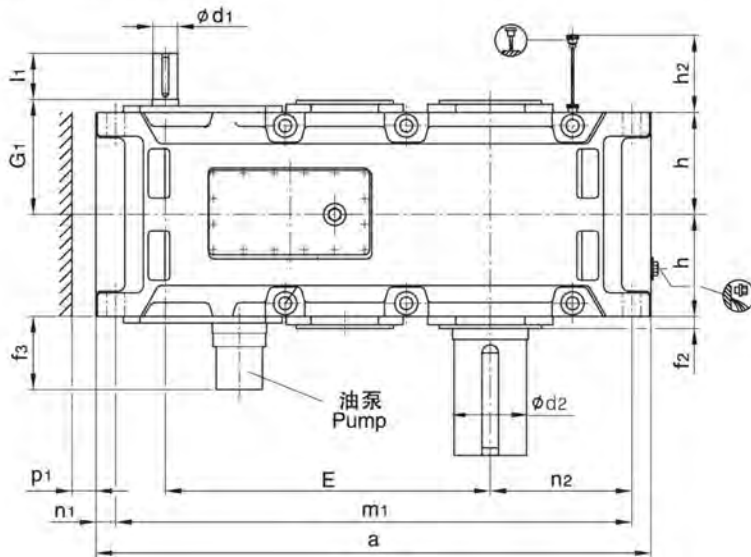


HC3-V(三级传动立式安装型号规格13-22)外型及安装尺寸

HC3-V (Three-stage transmission vertical installation model, specification 13-22) external form and installation dimension

HC3-SV, HC3-HV, HC3-DV

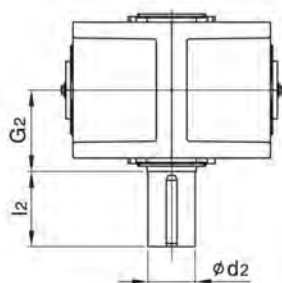
采用强制润滑  
Adopt forced lubrication



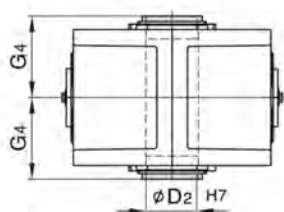
HC

输出形式 Output mode

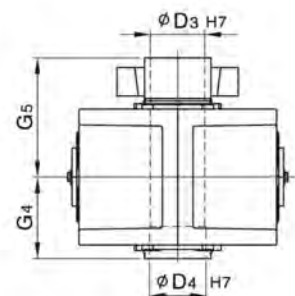
HC3-SV  
实心轴 Solid shaft



HC3-HV  
空心轴 Hollow shaft



HC3-DV  
带胀紧盘空心轴  
Hollow shaft for shrink disk







HC3-V (三级传动立式安装型号规格13~22)外型及安装尺寸

HC3-V (Three-stage transmission vertical installation model, specification 13~22) external form and installation dimension

型号规格 Type Size	输入轴尺寸mm Input shaft dimension mm																	
	l=22.4~45		l=25~50		l=28~56		l=50~63		l=56~71		l=63~80		l=71~90		l=80~100		l=90~112	
	φd1	l1	φd1	l1	φd1	l1	φd1	l1	φd1	l1	φd1	l1	φd1	l1	φd1	l1	φd1	l1
HC3-13	85	160					60	135					50	110				
HC3-14					85	160					60	135					50	110
HC3-15	100	200					75	140					60	140				
HC3-16			100	200					75	140					60	140		
HC3-17	100	200					75	140					60	140				
HC3-18			100	200					75	140					60	140		
HC3-19	按用户要求供货 Goods can be supplied according to customer's request.																	
HC3-20																		
HC3-21																		
HC3-22																		

型号规格 Type Size	外型及安装尺寸mm External form and installation dimension mm															
	G1	a	b	C	E	f2	f3	h	h2	m1	m2	n1	n2	P1	P2	φS
HC3-13	310	1395	900	61	820	35	170	272.5	300	1300	680	50	360	50	500	48
HC3-14	310	1535	900	61	890	35	170	272.5	300	1440	680	50	430	50	500	48
HC3-15	350	1680	980	72	987	42	170	310	340	1565	750	60	430	50	570	55
HC3-16	350	1770	980	72	1033	42	170	310	340	1655	750	60	475	50	570	55
HC3-17	380	1770	1110	81	1035	42	210	340	374	1640	850	70	465	70	630	55
HC3-18	380	1890	1110	81	1095	42	210	340	374	1760	850	70	525	70	630	55
HC3-19	按用户要求供货 Goods can be supplied according to customer's request.															
HC3-20																
HC3-21																
HC3-22																

HC

型号规格 Type Size	输出轴尺寸mm Input shaft dimension mm									润滑油 Oil	重量 (kg) Weight
	HC3-SV			HC3-HV		HC3-DV					
	φd2	G2	l2	φD2	G4	φD3	φD4	G4	G5		
HC3-13	200	335	350	190	335	190	195	335	480	115	2155
HC3-14	210	335	350	210	335	210	215	335	480	126	2490
HC3-15	230	380	410	230	380	230	235	380	550	180	3260
HC3-16	240	380	410	240	380	240	245	380	550	190	3625
HC3-17	250	415	410	250	415	250	260	415	600	190	4250
HC3-18	270	415	470	275	415	280	285	415	600	200	4740
HC3-19	按用户要求供货 Goods can be supplied according to customer's request.										
HC3-20											
HC3-21											
HC3-22											

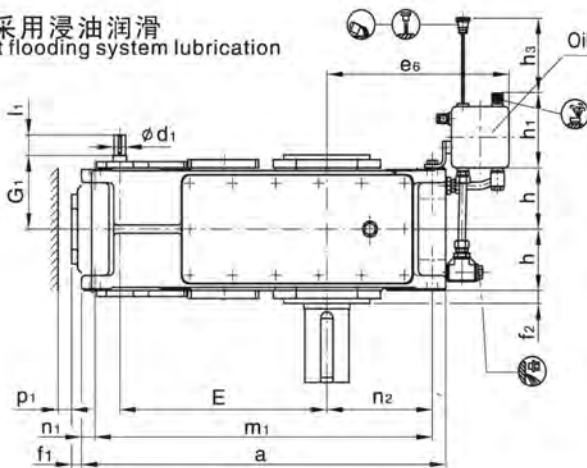


HC4-V(四级传动立式安装型号规格07-12)外型及安装尺寸

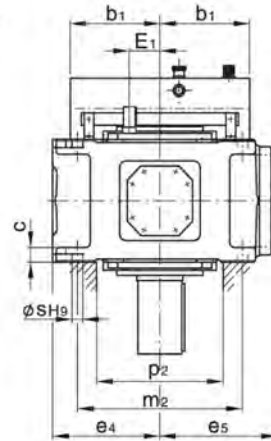
HC4-V (Four-stage transmission vertical installation model, specification 07-12) external form and installation dimension

HC4-SV, HC4-HV, HC4-DV

采用浸油润滑  
Adopt flooding system lubrication

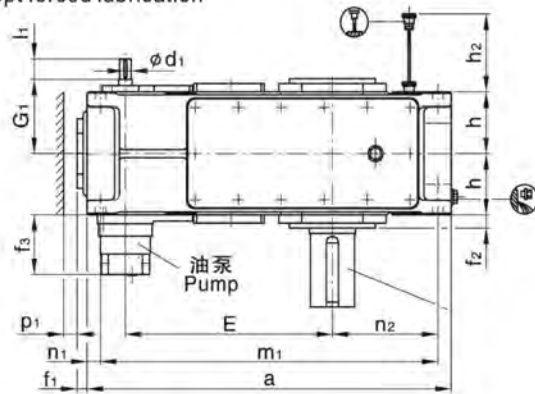


补偿油箱  
Oil compensating tank

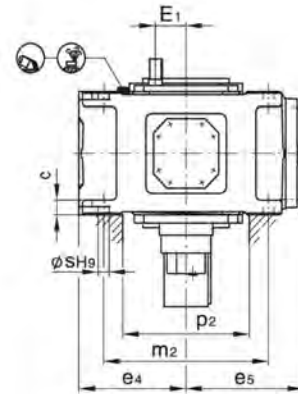


HC4-SV, HC4-HV, HC4-DV

采用强制润滑  
Adopt forced lubrication

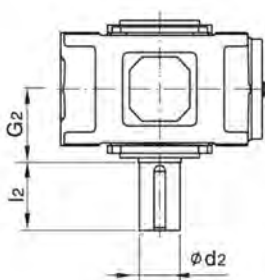


油泵  
Pump

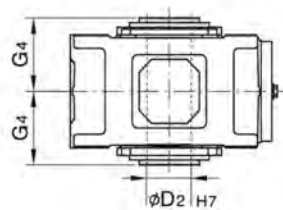


输出形式 Output mode

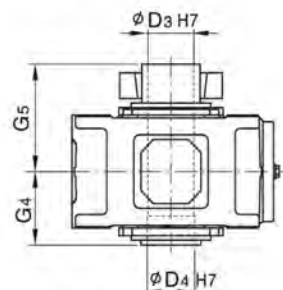
HC4-SV  
实心轴 Solid shaft



HC4-HV  
空心轴 Hollow shaft



HC4-DV  
带胀紧盘空心轴  
Hollow shaft for shrink disk







HC4-V(四级传动立式安装型号规格07~12)外型及安装尺寸

HC4-V (Four-stage transmission vertical installation model, specification 07-12) external form and installation dimension

型号规格 Type Size	输入轴尺寸mm Input shaft dimension mm							
	l=100~180		l=125~224		l=200~355		l=250~450	
	φd1	l1	φd1	l1	φd1	l1	φd1	l1
HC4-07	30	50			24	40		
HC4-08			30	50			24	40
HC4-09	35	60			28	50		
HC4-10			35	60			28	50
HC4-11	45	100			32	80		
HC4-12			45	100			32	80

型号规格 Type Size	外型及安装尺寸mm External form and installation dimension mm										
	G1	a	b1	C	e4	e5	e6	E	E1	f1	f2
HC4-07	180	845	240	36	280	292	425	495	80	37	30
HC4-08	180	950	240	36	280	302	485	540	80	37	32
HC4-09	215	1000	330	45	320	342	560	580	90	43	32
HC4-10	215	1110	330	45	320	342	610	630	90	43	32
HC4-11	250	1200	330	54	380	402	595	705	110	47	35
HC4-12	250	1355	330	54	380	410	680	775	110	47	35

HC

型号规格 Type Size	外型及安装尺寸mm External form and installation dimension mm											
	f3	h	h1	h2	h3	m1	m2	n1	n2	P1	P2	φS
HC4-07	160	150	205	165	250	775	430	35	215	35	330	28
HC4-08	160	150	205	165	250	880	430	35	275	35	330	28
HC4-09	170	185	275	205	330	920	490	40	260	40	370	36
HC4-10	170	185	275	205	330	1020	490	40	310	40	370	36
HC4-11	170	215	275	240	340	1100	600	50	295	50	440	40
HC4-12	170	215	275	240	340	1255	600	50	380	50	440	40

型号规格 Type Size	输出轴尺寸mm Input shaft dimension mm									润滑油 Oil		重量(kg) Weight
	HC4-SV			HC4-HV		HC4-DV				浸油润滑 Dip lubrication	强制润滑 Forced lubrication	
	φd2	G2	l2	φD2	G4	φD3	φD4	G4	G5			
HC4-07	120	195	210	115	195	120	120	195	280	50	20	550
HC4-08	130	195	250	125	195	130	130	195	285	60	25	645
HC4-09	140	235	250	135	235	140	145	235	330	95	38	875
HC4-10	160	235	300	150	235	150	155	235	350	110	45	1010
HC4-11	170	270	300	165	270	165	170	270	400	165	65	1460
HC4-12	180	270	300	180	270	180	185	270	405	180	75	1725





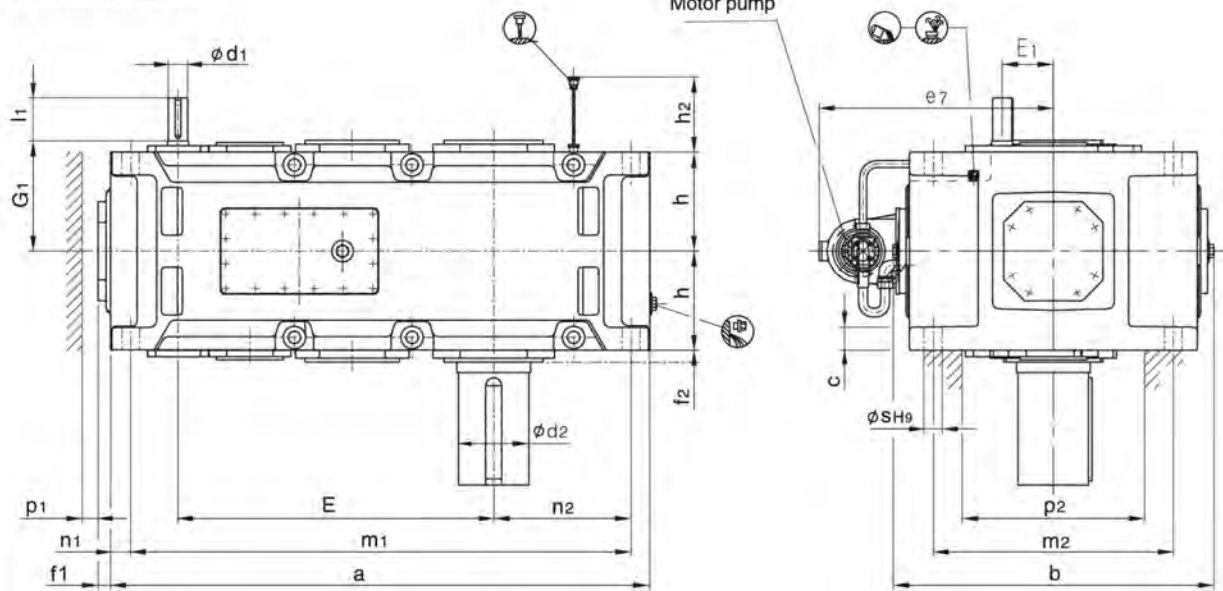
HC4-V(四级传动立式安装型号规格13-22)外型及安装尺寸

HC4-V (Four-stage transmission vertical installation model, specification 13-22) external form and installation dimension

HC4-SV, HC4-HV, HC4-DV

采用强制润滑  
Adopt forced lubrication

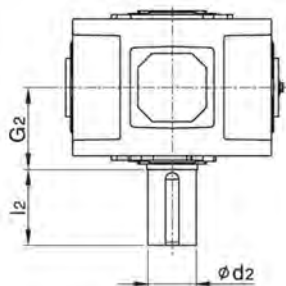
电动泵  
Motor pump



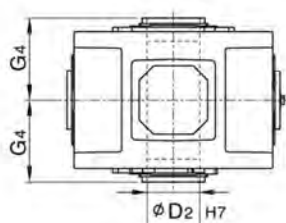
HC

输出形式 Output mode

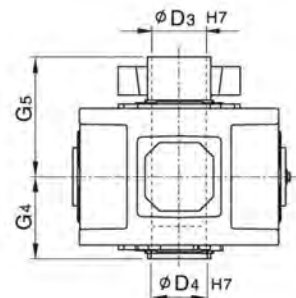
HC4-SV  
实心轴 Solid shaft



HC4-HV  
空心轴 Hollow shaft



HC4-DV  
带胀紧盘空心轴  
Hollow shaft for shrink disk





HC4-V (四级传动立式安装型号规格13~22)外型及安装尺寸  
 HC4-V (Four-stage transmission vertical installation model, specification 13~22) external form and installation dimension

型号规格 Type Size	输入轴尺寸mm Input shaft dimension mm											
	l=100~180		l=112~200		l=125~224		l=200~355		l=224~400		l=250~450	
	φd1	l1	φd1	l1	φd1	l1	φd1	l1	φd1	l1	φd1	l1
HC4-13	50	100					38	80				
HC4-14					50	100					38	80
HC4-15	60	135					50	110				
HC4-16			60	135					50	110		
HC4-17	60	105					50	80				
HC4-18			60	105					50	80		
HC4-19	按用户要求供货 Goods can be supplied according to customer's request.											
HC4-20												
HC4-21												
HC4-22												

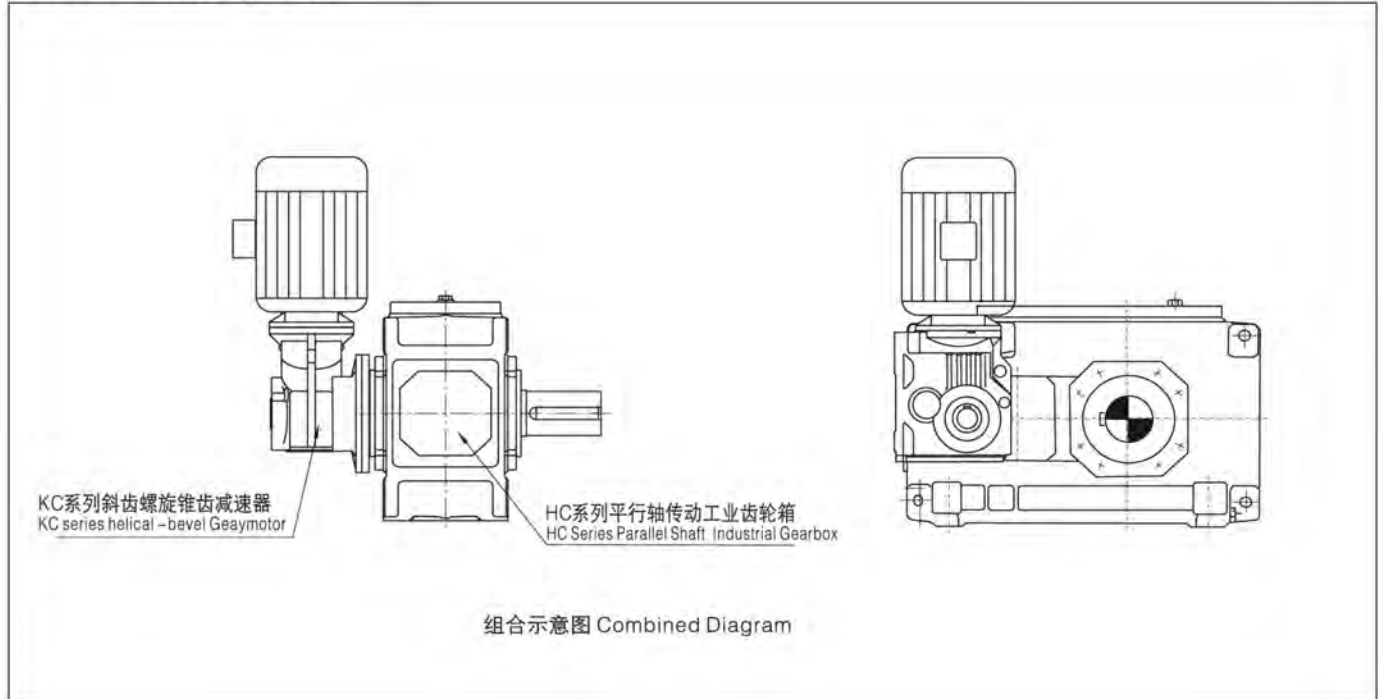
型号规格 Type Size	外型及安装尺寸mm External form and installation dimension mm																	
	G1	a	b	C	e7	E	E1	f1	f2	h	h2	m1	m2	n1	n2	P1	P2	φS
HC4-13	305	1395	900	61	695	820	130	47	35	272.5	300	1300	680	50	360	50	500	48
HC4-14	305	1535	900	61	695	890	130	47	35	272.5	300	1440	680	50	430	50	500	48
HC4-15	345	1680	980	72	735	987	160	56	42	310	340	1565	750	60	430	50	570	55
HC4-16	345	1770	980	72	735	1033	160	56	42	310	340	1655	750	60	475	50	570	55
HC4-17	380	1770	1110	81	795	1035	160	53	42	340	374	1640	850	70	465	70	630	55
HC4-18	380	1890	1110	81	795	1095	160	53	42	340	374	1760	850	70	525	70	630	55
HC4-19	按用户要求供货 Goods can be supplied according to customer's request.																	
HC4-20																		
HC4-21																		
HC4-22																		

HC

型号规格 Type Size	输出轴尺寸mm Input shaft dimension mm										润滑油 Oil	重量 (kg) Weight
	HC4-SV			HC4-HV		HC4-DV						
	φd2	G2	l2	φD2	G4	φD3	φD4	G4	G5			
HC4-13	200	335	350	190	335	190	195	335	480	95	2270	
HC4-14	210	335	350	210	335	210	215	335	480	105	2600	
HC4-15	230	380	410	230	380	230	235	380	550	150	3440	
HC4-16	240	380	410	240	380	240	245	380	550	160	3740	
HC4-17	250	415	410	250	415	250	260	415	600	190	4445	
HC4-18	270	415	470	275	415	280	285	415	600	200	4915	
HC4-19	按用户要求供货 Goods can be supplied according to customer's request.											
HC4-20												
HC4-21												
HC4-22												

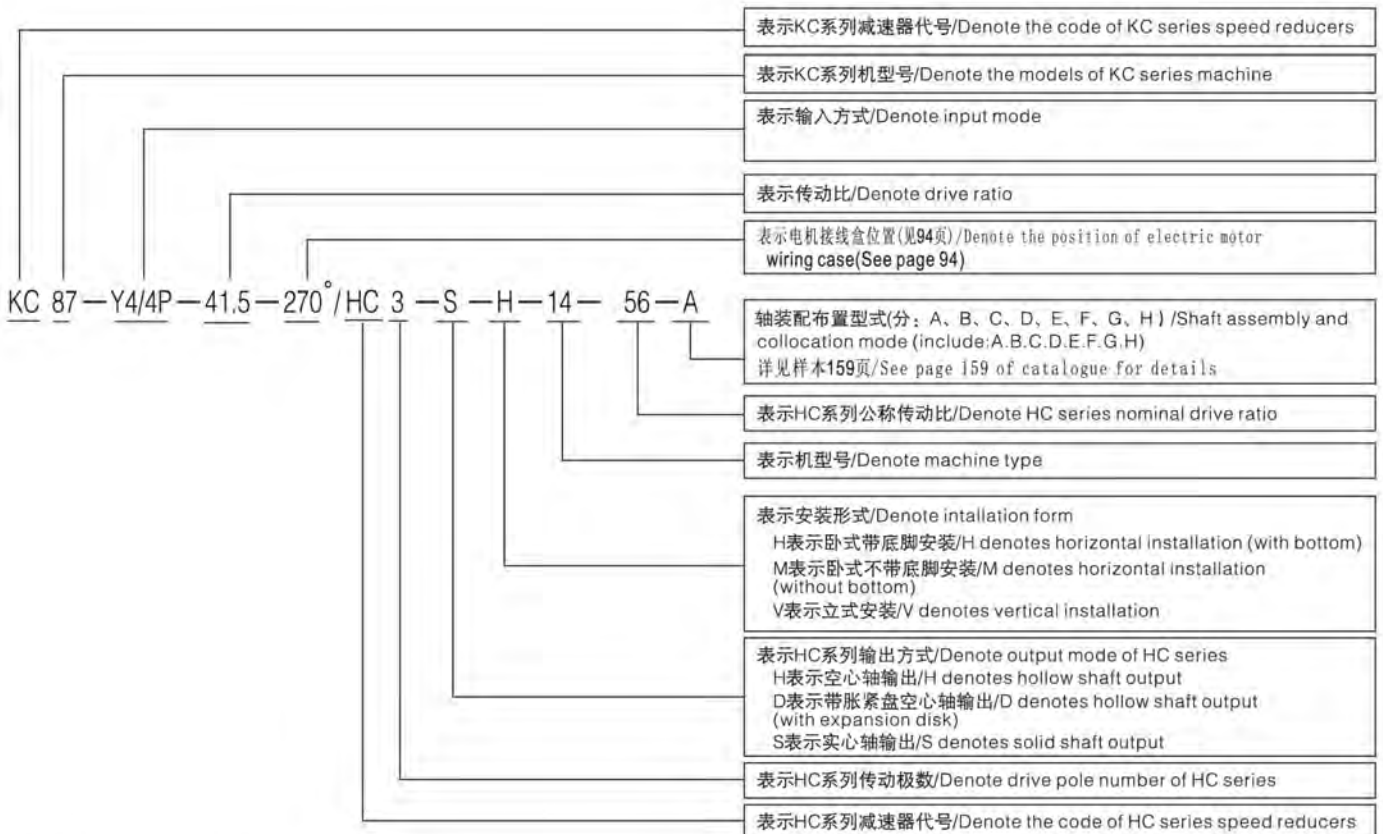


KC系列和HC系列齿轮减速器组合  
KC+HC combined gearbox



机型表示方法/Model expression:

HC



注: 选择相关机型时请咨询汇鑫公司。  
Note: Please contact HUIXIN Company when selecting relevant machine types.





HC1系列(一级传动 传动比*i*=1.25~5.6 型号规格01~09)传动能力表  
 HC1(one-stage transmission, transmission ratio  $i=1.25\sim 5.6$  model specification 01~09) transmission capacity table

n1	n2	i	HC1-01			HC1-03			HC1-05			HC1-07			HC1-09		
			TN2 Kn.m	is	PN1 kw	TN2 Kn.m	is	PN1 kw	TN2 Kn.m	is	PN1 kw	TN2 Kn.m	is	PN1 kw	TN2 Kn.m	is	PN1 kw
1500	1200	1.25	0.80	1.250	99	2.6	1.243	327	7.0	1.256	880	13.3	1.263	1671	21.5	1.27	2702
1000	800				66			218			586			1114			1801
750	600				50			163			440			836			1351
1500	1071	1.4	0.80	1.414	93	2.7	1.371	303	7.2	1.378	807	13.9	1.389	1559	22.3	1.40	2501
1000	714				62			202			538			1039			1667
750	536				47			152			404			780			1252
1500	938	1.6	0.85	1.605	85	2.9	1.594	285	7.5	1.588	737	14.2	1.606	1395	23.6	1.625	2318
1000	625				57			190			491			929			1545
750	469				43			142			368			697			1159
1500	833	1.8	0.9	1.828	79	2.4	1.829	209	7.7	1.839	672	15.2	1.744	1326	24.4	1.80	2128
1000	556				53			140			448			885			1421
750	417				40			105			336			664			1065
1500	750	2.0	0.9	2.000	73	2.5	2.000	196	8.2	2.034	644	15.5	1.966	1217	25.0	2.000	1963
1000	500				49			131			429			812			1309
750	375				37			98			322			609			982
1500	670	2.24	0.9	1.193	67	2.5	2.194	175	8.4	2.259	589	15.5	2.308	1087	25.0	2.231	1754
1000	446				45			117			392			724			1168
750	335				34			88			295			544			877
1500	600	2.5	0.9	2.535	63	2.6	2.536	163	8.4	2.520	528	15.5	2.538	974	25.0	2.500	1571
1000	400				42			109			352			649			1047
750	300				31			82			264			487			785
1500	536	2.8	0.9	2.807	56	2.7	2.808	152	8.4	2.826	471	14.9	2.800	836	23.7	2.741	1330
1000	357				37			101			314			557			886
750	268				28			76			236			418			665
1500	476	3.15	0.9	3.125	50	2.7	3.125	135	8.4	3.190	419	15.2	3.130	758	24.5	3.208	1221
1000	317				33			90			279			505			813
750	238				25			67			209			379			611
1500	423	3.55	0.9	3.500	44	2.8	3.500	124	8.3	3.591	368	15.5	3.524	687	24.9	3.591	1103
1000	282				30			83			245			458			735
750	211				22			62			183			342			550
1500	375	4.0	0.9	3.950	39	2.8	3.950	110	8.4	4.05	330	15.5	4.00	609	25.0	4.05	982
1000	250				26			73			220			406			654
750	188				20			55			165			305			492
1500	333	4.5	0.8	4.467	29	2.2	4.435	77	6.7	4.619	234	13.8	4.400	481	21.4	4.381	746
1000	222				19			51			156			321			497
750	167				14			38			117			241			374
1500	300	5.0	0.8	5.052	25	2.1	4.952	66	6.3	4.900	198	12	4.905	377	20.5	4.947	644
1000	200				16			44			132			251			429
750	150				12			33			99			188			322
1500	1000	5.6	0.6	5.571	17	2.0	5.579	56	6.0	5.556	168	11.4	5.526	320	17.5	5.684	491
1000	179				12			37			112			214			328
750	134				9			28			84			160			246

HC

注：表格中带有 符号的表示卧式齿轮箱要采用强制润滑

Notes: items inside the table with sign denote that horizontal gear case need the adoption of forced lubrication.





HC 1系列(一级传动 传动比*i*=1.25~5.6 型号规格11~19)传动能力表

HC1(one-stage transmission, transmission ratio  $i=1.25 \sim 5.6$  model specification 11~19) transmission capacity table

n1	n2	i	HC1-11			HC1-13			HC1-15			HC1-17			HC1-19			
			TN2 Kn.m	is	PN1 kw	TN2 Kn.m	is	PN1 kw	TN2 Kn.m	is	PN1 kw	TN2 Kn.m	is	PN1 kw	TN2 Kn.m	is	PN1 kw	
1500	1200	1.25																
1000	800																	
750	600																	
1500	1071	1.4																
1000	714																	
750	536																	
1500	938	1.6			3929													
1000	625		40	1.636	2618	63	1.588	4123										
750	469				1964			3094										
1500	833	1.8			3611													
1000	556		41.4	1.806	2410	66.3	1.839	3860										
750	417				1808			2895										
1500	750	2.0			3353													
1000	500		42.7	2.000	2236	68.2	2.034	3571	121	2.000								
750	375				1677			2678			4751							
1500	670	2.24			3087													
1000	446		44	2.222	2055	70.3	2.259	3253	122	2.231								
750	335				1543			2466			4280							
1500	600	2.5			2764													
1000	400		44	2.48	1843	72	2.520	3016	110	2.481	4607							
750	300				1382			2262			3455							
1500	536	2.8			2470													
1000	357		44	2.783	1645	72	2.826	2692	113	2.760	4224	171	2.760					
750	268				1235			2021			3171			4799				
1500	476	3.15			2088													
1000	317		41.9	3.080	1391	68.4	3.208	2270	116	3.087	3850	173	3.087					
750	238				1044			1705			2891			4311				
1500	423	3.55			1936													
1000	282		43.7	3.478	1290	69.6	3.519	2055	118	3.476	3484	173	3.476					
750	211				966			1538			2607			3822				
1500	375	4.0			1728													
1000	250		44	3.905	1152	70.8	4.05	1853	122	3.947	3194	173	3.947	4529	245	3.994		
750	188				866			1394			2402			3406			4823	
1500	333	4.5			1395													
1000	222		40	4.421	930	57.6	4.619	1339	102	4.597	2371	146	4.526	3394	216	4.400		
750	167				699			1007			1784			2553			3777	
1500	300	5			1059													
1000	200		33.7	5.150	706	54.5	4.900	1141	88.8	5.100	1860	124	4.900	2597	174	4.950	3644	
750	150				526			856			1395			1948			2733	
1500	268	5.6			892													
1000	179		31.8	5.474	596	51.8	5.556	971	84.5	5.778	1548	118	5.556	2212	150	5.700	2812	
750	134				446			727			1186			1656			2105	

注：表格中带有 符号的表示卧式齿轮箱要采用强制润滑

Notes: items inside the table with sign denote that horizontal gear case need the adoption of forced lubrication.



HC 2系列(二级传动 传动比*i*=6.3~28 型号规格03~09)传动能力表

HC2(Two-stage transmission, transmission ratio *i*=6.3~28 model specification 03~09) transmission capacity table

n1 r/min	n2 r/min	<i>i</i>	HC2-03			HC2-04			HC2-05			HC2-06			HC2-07			HC2-08			HC2-09																		
			Tn2 Kn.m	is	PN1 kw	TN2 Kn.m	is	PN1 kw	TN2 Kn.m	is	PN1 kw	TN2 Kn.m	is	PN1 kw	TN2 Kn.m	is	PN1 kw	TN2 Kn.m	is	PN1 kw	TN2 Kn.m	is	PN1 kw																
1500	238	6.3	3.4	6.232	87	6.3	6.319	157	10.5	6.286	262	19	6.088	474	31.5	6.260	785																						
1000	159				58			105			175			316			524																						
750	119				44			79			131			237			393																						
1500	211	7.1	3.4	7.099	77	6.3	6.857	139	10.5	7.213	232	19	7.048	420	31.5	7.247	696																						
1000	141				52			93			155			281			465																						
750	106				39			70			117			211			350																						
1500	188	8.0	3.4	7.765	69	6.3	7.778	124	10.5	7.889	207	19	7.799	266	24	7.676	472																						
1000	125				46			82			137			13.5			7.792	177	19	7.799	249	24	7.676	314	31.5	8.018	412												
750	94				34			62			103			133			187	236	310																				
1500	167	9.0	3.4	8.516	61	6.3	8.485	110	10.5	8.652	184	13.5	8.940	236	19	8.660	332	24	8.887	420	31.5	8.904	551																
1000	111				41			73			122			13.5			8.940			157			19	8.660	221	24	8.887	279	31.5	8.904	366								
750	83				30			55			91			117			165			236			274																
1500	150	10	3.4	9.845	55	6.3	9.722	99	10.5	10.002	165	13.5	9.778	212	19	9.660	298	24	9.833	377	31.5	9.932	495																
1000	100				37			66			110			13.5			9.778			141			19	9.660	199	24	9.833	251	31.5	9.932	330								
750	75				27			49			82			106			149			236			247																
1500	134	11.2	3.4	10.900	49	6.3	10.694	88	10.5	11.075	147	13.5	10.724	189	19	10.648	267	24	10.920	337	31.5	11.138	442																
1000	89				33			59			98			13.5			10.724			126			19	10.648	177	24	10.920	224	31.5	11.138	294								
750	67				25			44			74			95			133			236			221																
1500	120	12.5	3.4	12.132	44	6.3	12.444	79	10.5	12.236	132	13.5	12.397	170	19	11.807	239	24	12.180	302	31.5	12.574	396																
1000	80				29			53			88			13.5			12.397			113			19	11.807	159	24	12.180	201	31.5	12.574	264								
750	60				22			40			66			85			119			236			198																
1500	107	14	3.4	13.588	39	6.3	13.865	71	10.5	13.806	118	13.5	13.726	151	19	13.939	213	24	13.426	269	31.5	14.152	353																
1000	71				26			47			78			13.5			13.726			100			19	13.939	141	24	13.426	178	31.5	14.152	234								
750	54				20			36			59			76			107			236			178																
1500	94	16	3.4	15.335	34	6.3	15.556	62	10.5	15.581	103	13.5	15.278	133	19	15.717	187	24	14.887	236	31.5	15.962	310																
1000	63				23			42			69			13.5			15.278			89			19	15.717	125	24	14.887	158	31.5	15.962	208								
750	47				17			31			52			66			94			236			155																
1500	83	18	3.4	17.378	30	6.3	17.602	55	10.5	17.493	91	13.5	17.111	117	19	17.598	165	24	17.576	209	31.5	18.204	274																
1000	56				21			37			62			13.5			17.111			79			19	17.598	111	24	17.576	141	31.5	18.204	185								
750	42				15			28			46			59			84			236			139																
1500	75	20	3.4	19.616	27	6.3	19.444	49	10.5	19.534	82	13.5	19.311	106	19	19.742	149	24	19.817	188	31.5	19.312	247																
1000	50				18			33			55			13.5			19.311			71			19	19.742	99	24	19.817	126	31.5	19.312	165								
750	38				14			25			42			54			76			236			125																
1500	67	22.4	3.5	21.630	25	6.2	22.037	43	10.2	22.006	72	13.5	21.681	95	18.6	20.982	130	24	22.819	168	31	21.895	217																
1000	45				16			29			48			13.5			21.681			64			18.6	20.982	88	24	22.819	113	31	21.895	146								
750	33				12			21			35			47			64			236			107																
1500	60	25											85						151																				
1000	40																											57					101						
750	30																											42						75					
1500	54	28											74						133																				
1000	36																											49					89						
750	27																											37					66						





HC2系列(二级传动 传动比*i*=6.3~28. 型号规格10~16)传动能力表  
 HC2(Two-stage transmission, transmission ratio *i*=6.3~28 model specification 10~16) transmission capacity table

n1 r/min	n2 r/min	<i>i</i>	HC2-10			HC2-11			HC2-12			HC2-13			HC2-14			HC2-15			HC2-16		
			TN2 Kn.m	is	PN1 kw	TN2 Kn.m	is	PN1 kw	TN2 Kn.m	is	PN1 kw	TN2 Kn.m	is	PN1 kw	TN2 Kn.m	is	PN1 kw	TN2 Kn.m	is	PN1 kw	TN2 Kn.m	is	PN1 kw
1500	238	6.3						1383						2143						3564			
1000	159					55.5	6.246	924				86	6.410	1432			143	6.449	2381				
750	119							692						1072					1782				
1500	211	7.1						1226						1900						3159			3535
1000	141					55.5	6.900	819				86	7.100	1270			143	7.120	2111	160	7.316	2362	
750	106							616						955					1587				1776
1500	188	8.0			778			1093			1358			1693			2106			2815			3150
1000	125		39.5	7.848	517	55.5	7.644	726	69	7.941	903	86	7.889	1126	107	7.944	1401	143	7.882	1872	160	8.076	2094
750	94				389			546			679			846			1053			1408			1575
1500	167	9.0			691			971			1207			1504			1871			2501			2798
1000	111		39.5	9.085	459	55.5	8.974	645	69	8.772	802	86	8.799	1000	107	8.800	1244	143	8.758	1662	160	8.941	1860
750	83				343			482			600			747			930			1243			1391
1500	150	10			620			872			1084			1351			1681			2246			2513
1000	100		39.5	10.053	414	55.5	10.046	581	69	9.718	723	86	9.861	901	107	9.778	1120	143	9.774	1497	160	9.935	1675
750	75				310			436			542			675			840			1123			1257
1500	134	11.2			554			779			968			1207			1501			2006			2245
1000	89		39.5	11.163	368	55.5	10.889	517	69	11.410	643	86	10.811	801	107	10.906	997	143	10.967	1333	160	11.087	1491
750	67				277			389			484			603			750			1003			1123
1500	120	12.5			496			697			867			1081			1345			1797			2010
1000	80		39.5	12.452	331	55.5	12.174	465	69	12.773	578	86	12.655	720	107	12.222	896	143	12.139	1198	160	12.440	1340
750	60				248			349			434			540			672			898			1005
1500	107	14			443			622			773			964			1199			1602			1793
1000	71		39.5	13.964	294	55.5	13.704	413	69	13.884	513	86	14.164	639	107	13.399	795	143	13.708	1063	160	13.769	1190
750	54				223			314			390			486			605			809			905
1500	94	16			389			546			679			846			1053			1408			1575
1000	63		39.5	15.765	261	55.5	15.556	366	69	15.478	455	86	15.975	567	107	15.685	706	143	15.839	943	160	15.550	1055
750	47				194			273			340			423			527			704			787
1500	83	18			343			482			600			747			930			1243			1391
1000	56		39.5	17.743	232	55.5	17.111	325	69	17.423	405	86	17.280	504	107	17.556	627	143	17.424	839	160	17.457	938
750	42				174			244			303			378			471			629			704
1500	75	20			310			436			542			675			840			1123			1257
1000	50		39.5	20.012	207	55.5	19.074	291	69	19.778	361	86	19.515	450	107	19.800	560	143	20.297	749	160	19.765	838
750	38				157			221			275			342			426			569			637
1500	67	22.4			277			382			484						751						1123
1000	45		39.5	22.824	186	54.5	21.491	257	69	21.578	325				107	21.418	504				160	23.024	754
750	33				136			188			238						370						553
1500	60	25			248						434						672						
1000	40		39.5	24.212	165				69	24.521	289				107	24.187	448						
750	30				124						217						336						
1500	54	28			220						383												
1000	36		38.9	27.451	147				67.8	27.325	256												
750	27				110						192												

注：表格中带有 符号的表示卧式齿轮箱要采用强制润滑

Notes: items inside the table with sign denote that horizontal gear case need the adoption of forced lubrication.



HC 2系列(二级传动 传动比*i*=6.3~22.4 型号规格17~22)传动能力表

HC2(Two-stage transmission, transmission ratio *i*=6.3~22.4 model specification 17~22) transmission capacity table

n1 r/min	n2 r/min	<i>i</i>	HC2-17			HC2-18			HC2-19			HC2-20			HC2-21			HC2-22				
			TN2 Kn.m	is	PN1 kw	TN2 Kn.m	is	PN1 kw	TN2 Kn.m	is	PN1 kw	TN2 Kn.m	is	PN1 kw	TN2 Kn.m	is	PN1 kw	TN2 Kn.m	is	PN1 kw		
1500	238	6.3	195	6.154	4860	230	7.147	5082	292	6.410		335	7.312	4946	410	7.200				15		
1000	159				3247			3396			4862											
750	119				2430			2553			3639											
1500	211	7.1	195	7.125	4308	230	7.147	4528	292	7.100		335	7.312	4946	410	7.200						
1000	141				2879			3010			4311									3718	4551	
750	106				2164			2264			3241											
1500	188	8.0	195	7.884	3839	230	8.274	4022	292	7.889		335	8.100	4385	410	8.000	5366	458	8.047			
1000	125				2552			2673			3822									3297	4036	
750	94				1919			1999			2874											4508
1500	167	9.0	195	8.755	3410	230	9.155	3613	292	8.799		335	9.000	3894	410	8.923	4765	458	8.941			
1000	111				2266			2408			3394									3297	4765	5323
750	83				1695			1806			2538									2912	3563	3981
1500	150	10	195	9.765	3063	230	10.167	3227	292	9.788		335	10.038	3508	410	9.926	4293	458	9.973			
1000	100				2042			2143			3058									3227	4293	4796
750	75				1531			1614			2293									2631	3220	3597
1500	134	11.2	195	10.591	2736	230	11.340	2890	292	10.887		335	11.167	3122	410	11.040	3821	458	11.094			
1000	89				1817			1927			2721									3122	3821	4268
750	67				1368			1445			2049									2350	2876	3213
1500	120	12.5	195	12.432	2450	230	12.717	2577	292	12.176		335	12.420	2806	410	12.348	3435	458	12.339			
1000	80				1634			1710			2446									2806	3435	3837
750	60				1225			1301			1835									2105	2576	2877
1500	107	14	195	13.915	2185	230	14.438	2264	292	13.712		335	13.891	2491	410	13.905	3048	458	13.801			
1000	71				1450			1517			2171									2491	3048	3405
750	54				1103			1132			1651									1894	2318	2590
1500	94	16	195	15.694	1919	230	16.159	1999	292	15.570		335	15.463	2210	410	15.789	2705	458	15.541			
1000	63				1286			1349			1926									2210	2705	3021
750	47				960			1012			1437									1649	2018	2254
1500	83	18	195	17.899	1695	230	18.225	1806	292	18.061		335	17.763	1964	410	18.316	2404	458	17.647			
1000	56				1143			1204			1712									1964	2404	2686
750	42				858			915			1284									1473	1803	2014
1500	75	20	195	18.988	1531	230	20.768	1614	292	20.117		335	20.605	1754	410	20.400	2147	458	20.471			
1000	50				1021			1084			1529									1754	2147	2398
750	38				776			795			1162									1333	1631	1822
1500	67	22.4				230	22.050					335	22.950	2350				458	22.800			
1000	45																					2158
750	33																					1583
1500	60	25																				
1000	40																					
750	30																					
1500	54	28																				
1000	36																					
750	27																					

HC

注：表格中带有 符号的表示卧式齿轮箱要采用强制润滑

Notes: items inside the table with sign denote that horizontal gear case need the adoption of forced lubrication.





HC3系列(三级传动 传动比*i*=25~112 型号规格05~10)传动能力表

HC3(Three-stage transmission, transmission ratio *i*=25~112 model specification 05~10) transmission capacity table

n1 r/min	n2 r/min	<i>i</i>	HC3-05			HC3-06			HC3-07			HC3-08			HC3-09			HC3-10			
			TN2 Kn.m	is	PN1 kw	TN2 Kn.m	is	PN1 kw	TN2 Kn.m	is	PN1 kw	TN2 Kn.m	is	PN1 kw	TN2 Kn.m	is	PN1 kw	TN2 Kn.m	is	PN1 kw	
1500	67.0	22.4																			
1000	45.0																				
750	33.0																				
1500	60.0	25.0	11	25.011	69						129						214				
1000	40.0				46				20.5	25.540	86				34	25.439	142				
750	30.0				35						64						107				
1500	54.0	28.0	11	28.49	62						116						192				
1000	36.0				41				20.5	27.711	77				34	29.187	128				
750	27.0				31						58						96				
1500	48.0	31.5	11	31.161	55			73			103					128			216		
1000	32.0				37	14.5	30.999	49	20.5	31.433	69	25.5	32.202	85	34	31.924	114	43	31.894	144	
750	24.0				28			36			52			64			85			108	
1500	42.0	35.5	11	34.177	48			64			90					112			189		
1000	28.0				32	14.5	35.312	43	20.5	34.291	60	25.5	34.940	75	34	35.013	100	43	36.593	126	
750	21.0				24			32			45			56			75			95	
1500	38.0	40.0	11	39.508	44			58			82					101			171		
1000	25.0				29	14.5	38.622	38	20.5	39.292	54	25.5	39.633	67	34	40.747	89	43	40.024	113	
750	18.8				22			29			40			50			67			85	
1500	33.0	45.0	11	43.745	38			50			71					88			149		
1000	22.0				25	14.5	42.360	33	20.5	43.221	47	25.5	43.236	59	34	44.816	78	43	43.897	99	
750	16.7				19			25			36			45			59			75	
1500	30.0	50.0	11	48.689	35			46			64					80			135		
1000	20.0				23	14.5	48.967	30	20.5	50.293	43	25.5	49.542	53	34	49.881	71	43	50.744	90	
750	15.0				17			23			32			40			53			68	
1500	27.0	56.0	11	54.532	31			41			58					72			122		
1000	17.9				21	14.5	54.220	27	20.5	56.033	38	25.5	54.496	48	34	55.886	64	43	56.187	81	
750	13.4				15			20			29			36			48			60	
1500	24.0	63.0	11	61.543	28			36			52					64			108		
1000	15.9				18	14.5	60.347	24	20.5	62.867	34	25.5	63.413	42	34	63.049	57	43	62.537	72	
750	11.9				14			18			26			32			42			54	
1500	21.0	71.0	11	69.742	24			32			45					56			95		
1000	14.1				16	14.5	67.589	21	20.5	71.139	30	25.5	70.651	38	34	70.787	50	43	70.041	63	
750	10.6				12			16			23			28			38			48	
1500	18.8	80.0	11	78.723	22			29			40					50			85		
1000	12.5				14	14.5	76.279	19	20.5	78.583	27	25.5	79.267	33	34	79.049	45	43	79.046	56	
750	9.4				11			14			20			25			33			42	
1500	16.7	90.0	11	86.806	19			25			35					45			75		
1000	11.1				13	14.5	86.440	17	20	89.061	23	25.5	89.696	30	33.5	89.050	39	43	88.748	50	
750	8.3				10			13			17			22			29			37	
1500	15.0	100						23								40			68		
1000	10.0					14.5	97.572		15				25.5	99.083		27			43	99.106	45
750	7.5								11							20				34	
1500	13.4	112						20								35			59		
1000	8.9					14.1	107.59		13				25.2	112.29		23			42	111.65	39
750	6.7								10							18				29	





HC 3系列(三级传动 传动比*i*=22.4~112 型号规格11~16)传动能力表

HC3series (Three-stage transmission, transmission ratio *i*=22.4~112 model, specification 11~16)transmission power table

n1 r/min	n2 r/min	<i>i</i>	HC3-11			HC3-12			HC3-13			HC3-14			HC3-15			HC3-16			
			TN2 Kn.m	is	PN1 kw	TN2 Kn.m	is	PN1 kw	TN2 Kn.m	is	PN1 kw	TN2 Kn.m	is	PN1 kw	TN2 Kn.m	is	PN1 kw	TN2 Kn.m	is	PN1 kw	
1500	67.0	22.4									617						1073				
1000	45.0								88	22.020	415				153	21.374	721				
750	33.0										304						529				
1500	60.0	25.0			377						553						961			1087	
1000	40.0		60	24.706	251				88	25.372	369				153	24.716	641	173	24.245	725	
750	30.0				188						276						481			543	
1500	54.0	28.0			339						498			616			865			978	
1000	36.0		60	28.602	226				88	29.373	332	109	27.292	411	153	27.304	577	173	28.036	652	
750	27.0				170						249			308			433			489	
1500	48.0	31.5			302						442			548			769			870	
1000	32.0		60	31.648	201	75	31.412	251	88	32.501	295	109	31.447	365	153	30.248	513	173	30.971	580	
750	24.0				151			188			221			274			385			435	
1500	42.0	35.5			264						330			479			673			761	
1000	28.0		60	35.144	176	75	36.366	220	88	36.092	258	109	36.406	320	153	35.514	449	173	34.311	507	
750	21.0				132			165			194			240			336			380	
1500	38.0	40.0			239						298			434			609			688	
1000	25.0		60	39.200	157	75	40.238	196	88	40.257	230	109	40.283	285	153	39.756	401	173	40.284	453	
750	18.8				118			148			173			215			301			341	
1500	33.0	45.0			207						259			377			529			598	
1000	22.0		60	43.210	138	75	44.683	173	88	45.147	203	109	44.733	251	153	43.09	352	173	45.096	399	
750	16.7				105			131			154			191			268			303	
1500	30.0	50.0			188						236			342			481			543	
1000	20.0		60	47.911	126	75	49.840	157	88	50.968	184	109	49.896	228	153	48.175	320	173	48.878	362	
750	15.0				94			118			138			171			240			272	
1500	27.0	56.0			170						212			308			433			489	
1000	17.9		60	56.566	112	75	54.938	141	88	57.365	165	109	55.597	204	153	54.229	287	173	54.647	324	
750	13.4				84			105			123			153			215			243	
1500	24.0	63.0			151						188			274			385			435	
1000	15.9		60	63.778	100	75	60.916	125	88	64.699	147	109	63.171	181	153	61.557	255	173	61.514	288	
750	11.9				75			93			110			136			191			216	
1500	21.0	71.0			132						165			240			336			380	
1000	14.1		60	71.414	89	75	71.919	111	88	73.789	130	109	71.100	161	153	67.713	226	173	69.826	255	
750	10.6				67			83			98			121			170			192	
1500	18.8	80.0			118						148			215			301			341	
1000	12.5		60	80.111	79	75	81.089	98	88	78.278	115	109	80.190	143	153	75.481	200	173	76.089	226	
750	9.4				59			74			87			107			151			170	
1500	16.7	90.0			105						131			191			268			303	
1000	11.1		60	85.146	70	75	90.798	87	88	88.750	102	109	91.457	127	153	85.046	178	173	85.620	201	
750	8.3				52			65			76			95			133			150	
1500	15.0	100									118			171						272	
1000	10.0						75	101.86	79					109	97.020	114			173	96.471	181
750	7.5								59						86						136
1500	13.4	112									105			153							
1000	8.9						75	108.26	70					109	110.00	102					
750	6.7								53						76						

HC



HC3系列(三级传动 传动比*i*=22.4~100 型号规格17~22)传动能力表

HC3series (Three-stage transmission, transmission ratio *i*=22.4~100 model, specification 17~22) transmission power table

n1 r/min	n2 r/min	<i>i</i>	HC3-17			HC3-18			HC3-19			HC3-20			HC3-21			HC3-22					
			TN2 Kn.m	is	PN1 kw	TN2 Kn.m	is	PN1 kw	TN2 Kn.m	is	PN1 kw	TN2 Kn.m	is	PN1 kw	TN2 Kn.m	is	PN1 kw	TN2 Kn.m	is	PN1 kw			
1500	67.0	22.4	200	20.93	1403					2105				420	22.368	2947							
1000	45.0				942											300					21.782	1414	1979
750	33.0				691																1037	1451	
1500	60.0	25.0	200	24.202	1257	240	24.306	1005	300	25.283	1257	345	24.850	1445	420	25.837	2693	470	25.000	2953			
1000	40.0				838												754			942	1319	1759	1969
750	30.0				628															1084	1319	1476	
1500	54.0	28.0	200	26.736	1131	240	28.106	905	300	28.006	1131	345	28.844	1301	420	28.523	2375	470	28.877	2658			
1000	36.0				754												905			848	1187	1583	1772
750	27.0				565												679			975	1187	1339	
1500	48.0	31.5	200	29.619	1005	240	31.048	804	300	31.117	1005	345	31.950	1156	420	31.579	2111	470	31.879	2362			
1000	32.0				670												804			754	1055	1407	1575
750	24.0				503												603			867	1055	1181	
1500	42.0	35.5	200	34.776	880	240	34.397	704	300	34.708	880	345	35.500	1012	420	35.088	1847	470	35.294	2067			
1000	28.0				586												704			660	924	1231	1378
750	21.0				440												528			759	924	1034	
1500	38.0	40.0	200	38.929	796	240	40.385	628	300	38.897	785	345	39.596	903	420	39.158	1373	470	39.216	1870			
1000	25.0				524												628			591	1099	1230	
750	18.8				394												472			679	827	925	
1500	33.0	45.0	200	42.194	691	240	45.208	553	300	42.642	691	345	44.375	795	420	43.936	1451	470	43.765	1624			
1000	22.0				461												553			525	968	1083	
750	16.7				350												420			603	734	822	
1500	30.0	50.0	200	47.174	628	240	49.000	503	300	49.917	628	345	48.648	723	420	48.632	1319	470	49.105	1476			
1000	20.0				419												503			471	880	984	
750	15.0				314												377			542	660	738	
1500	27.0	56.0	200	53.102	565	240	54.783	450	300	55.87	562	345	56.948	647	420	54.920	1187	470	54.353	1329			
1000	17.9				375												450			421	589	659	
750	13.4				281												337			484	589	659	
1500	24.0	63.0	200	60.278	503	240	61.667	400	300	63.103	499	345	63.739	574	420	61.654	1055	470	61.381	1181			
1000	15.9				333												400			374	699	783	
750	11.9				249												299			430	523	586	
1500	21.0	71.0	200	66.306	440	240	70.000	354	300	68.162	443	345	71.888	509	420	69.806	759	470	68.908	1034			
1000	14.1				295												354			383	620	694	
750	10.6				222												266			383	466	522	
1500	18.8	80.0	200	73.912	394	240	77.000	314	300	76.974	393	345	77.762	452	420	81.316	679	470	78.019	925			
1000	12.5				262												314			295	550	615	
750	9.4				197												236			295	413	463	
1500	16.7	90.0	200	83.297	350	240	85.833	279	290	88.439	337	345	87.816	401	410	86.427	603	470	90.882	822			
1000	11.1				232												279			252	477	546	
750	8.3				174												209			300	356	408	
1500	15.0	100				226	96.711	355									526			730			
1000	10.0							237												351	487		
750	7.5							177												263	365		

HC



HC 4系列(四级传动 传动比*i* = 100 ~ 450 型号规格07 ~ 14)传动能力表

HC4series (Four-stage transmission, transmission ratio *i*=100 ~ 450 model, specification 07 ~ 14)transmission power table

n1 r/min	n2 r/min	<i>i</i>	HC4-07			HC4-08			HC4-09			HC4-10			HC4-11			HC4-12			HC4-13			HC4-14		
			TN2 Knm	is	PN1 kw	TN2 Knm	is	PN1 kw	TN2 Knm	is	PN1 kw	TN2 Knm	is	PN1 kw	TN2 Knm	is	PN1 kw	TN2 Knm	is	PN1 kw	TN2 Knm	is	PN1 kw	TN2 Knm	is	PN1 kw
1500	15				32																					
1000	10	100	20.5	101.55	21					34	101.21	36				60	103.64	63				88	103.11	92		
750	7.5				16							27						47						69		
1500	13.4				29							48						84						123		
1000	8.9	112	20.5	115.25	19					34	115.29	32				60	112.45	56				88	118.30	82		
750	6.7				14							24						42						62		
1500	12				26			32				43			54			75						111		137
1000	8	125	20.5	125.73	17	25.5	128.05	21	34	126.10	28	43	126.89	36	60	127.56	50	75	131.77	63	88	129.40	74	109	127.80	91
750	6				13			16				21			27			38						55		68
1500	10.7				23			29				38			48			67						99		122
1000	7.1	140	20.5	143.98	15	25.5	145.32	19	34	138.30	25	43	144.54	32	60	139.15	45	75	142.97	56	88	141.92	65	109	146.63	81
750	5.4				12			14				19			24			34						50		62
1500	9.4				20			25				33			42			59						87		107
1000	6.3	160	20.5	158.25	14	25.5	158.53	17	34	159.87	22	43	158.10	28	60	159.45	40	75	162.18	49	88	164.06	58	109	160.38	72
750	4.7				10			13				17			21			30						43		54
1500	8.3				18			22				30			37			52						76		95
1000	5.6	180	20.5	174.63	12	25.5	181.55	15	34	177.02	20	43	173.39	25	60	175.39	35	75	176.92	44	88	181.65	52	109	175.90	64
750	4.2				9			11				15			19			26						39		48
1500	7.5				16			20				27			34			47						69		86
1000	5	200	20.5	193.63	11	25.5	199.53	13	34	197.02	18	43	200.44	23	60	204.09	31	75	202.72	39	88	202.18	46	109	203.34	57
750	3.8				8.2			10				14			17			24						35		43
1500	6.7				14			18				24			30			42						62		76
1000	4.5	224	20.5	228.60	10	25.5	220.18	12	34	220.67	16	43	221.94	20	60	227.38	28	75	222.99	35	88	226.44	41	109	225.15	51
750	3.3				7.1			8.8				12			15			21						30		38
1500	6				13			16				21			27			38						55		68
1000	4	250	20.5	257.75	8.6	25.5	244.14	11	34	249.04	14	43	247.02	18	60	255.11	25	75	259.48	31	88	255.56	37	109	250.6	46
750	3				6.4			8				11			14			19						28		34
1500	5.4				12			14				19			24			34						50		62
1000	3.6	280	20.5	288.62	7.7	25.5	288.24	9.6	34	282.22	13	43	276.66	16	60	288.68	23	75	289.10	28	88	286.93	33	109	280.66	41
750	2.7				5.8			7.2				10			12			17						25		31
1500	4.8				10.3			13				17			22			30						44		55
1000	3.2	315	20.5	305.35	7	25.5	325.00	8.5	34	318.56	11	43	312.23	14	60	318.89	20	75	324.35	25	88	320.41	29	109	316.75	37
750	2.4				5.2			6.4				8.5			11			15						22		27
1500	4.2				8.6			11				15			19			26						39		48
1000	2.8	355	19.5	344.11	5.7	25.5	363.90	7.5	33	351.27	9.7	43	353.83	13	59	361.41	17	75	367.03	22	88	360.95	26	109	355.63	32
750	2.1				4.3			5.6				7.3			9.5			13						19		24
1500	3.8							10							17											43
1000	2.5	400				25.5	385.00	6.7				43	399.40	11			75	405.44	20					109	397.13	29
750	1.9							5.1						8.6										15		22
1500	3.3							8.6						14										26		38
1000	2.2	450				24.8	433.88	5.7					41.6	440.40	9.6			74	459.50	17				109	447.37	25
750	1.7							4.4						7.4										13		19





HC4系列(四级传动 传动比*i*=100~400 型号规格15~22)传动能力表  
 HC4 series (Four-stage transmission, transmission ratio *i*=100~400 model, specification 15~22) transmission power table

n1 r/min	n2 r/min	i	HC4-15			HC4-16			HC4-17			HC4-18			HC4-19			HC4-20			HC4-21			HC4-22												
			TN2 Knm	is	PN1 kw	TN2 Knm	is	PN1 kw	TN2 Knm	is	PN1 kw	TN2 Knm	is	PN1 kw	TN2 Knm	is	PN1 kw	TN2 Knm	is	PN1 kw	TN2 Knm	is	PN1 kw	TN2 Knm	is	PN1 kw										
1500	15	100	153	97.77	240	200	95.735	209	314	300	100.08	314	421	471	345	114.17	322	420	109.38	391	470	110.67	438	660	440	330										
1000	10				160																						120	157	236	589	659					
750	7.5				120																						157	236	589	659						
1500	13.4	112	153	113.18	215	200	110.83	186	240	111.18	224	300	115.86	280	345	114.17	322	420	109.38	391	470	110.67	438	660	440	330										
1000	8.9				143																						173	110.90	161	243	281	337	421	484	589	659
750	6.7				107																						121	140	168	210	242	295	330	391	470	110.67
1500	12	125	153	125.24	192	200	122.63	186	240	128.71	201	300	128.20	251	345	132.18	289	420	121.18	352	470	122.25	394	591	394	295										
1000	8				128																						173	128.39	145	194	224	269	336	387	471	527
750	6				96																						109	126	151	188	217	264	295	330	394	527
1500	10.7	140	153	139.07	171	200	136.18	149	240	142.41	178	300	142.36	223	345	146.25	256	420	142.28	312	470	135.44	349	527	349	266										
1000	7.1				114																						173	142.06	129	194	224	269	336	387	471	527
750	5.4				87																						98	113	136	168	210	242	295	330	394	527
1500	9.4	160	153	155.12	151	200	151.90	132	240	158.15	158	300	158.80	198	345	162.41	228	420	159.27	277	470	159.02	310	463	310	231										
1000	6.3				101																						173	157.76	114	170	197	236	295	340	413	463
750	4.7				75																						85	98	118	148	170	207	231	266	310	463
1500	8.3	180	153	170.99	133	200	167.44	117	240	176.40	141	300	178.08	176	345	181.16	202	420	172.63	246	470	178.01	276	408	276	207										
1000	5.6				90																						173	175.96	101	150	174	209	261	300	365	408
750	4.2				67																						76	88	106	132	152	185	207	231	266	310
1500	7.5	200	153	189.59	120	200	185.66	105	240	194.44	126	300	201.04	157	345	203.16	181	420	193.00	220	470	192.94	246	369	246	187										
1000	5				80																						173	193.96	91	136	157	188	236	271	330	369
750	3.8				60																						69	80	95	119	137	167	187	217	264	295
1500	6.7	224	153	223.85	107	200	219.20	94	240	215.60	113	300	226.27	141	345	229.35	163	420	217.25	198	470	215.71	221	330	221	162										
1000	4.5				72																						173	215.06	82	121	140	168	210	242	295	330
750	3.3				53																						60	69	83	104	119	145	162	187	217	264
1500	6	250	153	252.38	96	200	247.14	84	240	254.55	101	300	255.20	126	345	258.14	145	420	246.62	176	470	242.82	197	295	197	148										
1000	4				64																						173	253.91	72	109	126	151	188	236	271	330
750	3				48																						54	63	75	94	108	132	152	185	207	231
1500	5.4	280	153	282.60	87	200	276.73	75	240	287.00	90	300	291.06	113	345	291.14	130	420	271.28	158	470	275.63	177	266	177	133										
1000	3.6				58																						173	286.29	65	98	113	136	170	195	237	266
750	2.7				43																						49	57	68	85	98	119	133	152	185	207
1500	4.8	315	153	317.02	77	200	310.43	67	240	321.36	80	300	308.76	101	345	332.05	116	420	302.40	141	470	303.19	157	236	157	118										
1000	3.2				51																						173	320.56	58	87	101	121	151	173	211	236
750	2.4				38																						43	50	60	75	87	106	128	152	180	207
1500	4.2	355	140	336.95	62	200	329.94	56	240	360.50	70	290	350.07	85	345	352.25	101	410	340.72	120	470	337.97	138	207	138	103										
1000	2.8				41																						173	359.60	51	76	84	106	128	152	180	207
750	2.1				31																						38	42	53	64	76	90	103	118	133	152
1500	3.8	400			63	200																														
1000	2.5				41																						158	382.20	41	89	101	121	151	173	211	236
750	1.9				31																						38	42	53	64	76	90	103	118	133	152
1500	3.3	450			63	200																														
1000	2.2				41																						158	382.20	41	89	101	121	151	173	211	236
750	1.7				31																						38	42	53	64	76	90	103	118	133	152

HC



HC1系列(一级传动 传动比*i* = 1.25 ~ 5.6 型号规格01 ~ 19)额定热容量KW  
 HC1 series (One-stage transmission, transmission ratio *i* = 1.25 ~ 5.6 model, specification 01 ~ 19) rated thermal capacity KW

公称 传动比 Nominal ratio	冷却方式 Cooling mode	型号规格 Type Size									
		HC1-01	HC1-03	HC1-05	HC1-07	HC1-09	HC1-11	HC1-13	HC1-15	HC1-17	HC1-19
1.25	PG1	70.4	105	188	322	497					
	PG2		146	360	580	875					
1.4	PG1	68	105	192	319	504					
	PG2		144	358	579	870					
1.6	PG1	66.2	104	186	316	507	516	747			
	PG2		140	347	555	853	1134	1394			
1.8	PG1	66	107	185	313	502	511	740			
	PG2		151	355	561	834	1119	1441			
2.0	PG1	65	104	178	310	492	507	733	991		
	PG2		146	321	544	806	1204	1413	1766		
2.24	PG1	57	95.5	172	307	473	502	725	950		
	PG2		139	304	506	767	1154	1385	1752		
2.5	PG1	54.1	88.8	164	303	449	498	719	923		
	PG2		127	285	474	720	1088	1357	1788		
2.8	PG1	52.3	86.7	155	295	473	493	713	925	955	
	PG2		119	264	494	750	1015	1329	1699	1846	
3.15	PG1	49.7	84.6	150	269	379	495	707	888	919	
	PG2		111	253	432	606	1067	1301	1069	1718	
3.55	PG1	45	78.4	145	248	351	479	699	849	902	
	PG2		101	245	395	554	955	1273	1565	1649	
4.0	PG1	41	73.1	132	233	300	452	665	797	866	1051
	PG2		91.2	220	353	467	866	1227	1520	1639	1647
4.5	PG1	41	77	139	225	321	388	630	816	916	1020
	PG2		99.7	221	331	492	728	1115	1475	1675	1771
5.0	PG1	37	69	134	218	290	377	604	812	980	1146
	PG2		89.7	209	314	439	697	1022	1431	1734	1894
5.6	PG1	36.5	66.4	122	212	274	364	571	736	899	1149
	PG2		79.5	184	280	411	656	929	1386	1541	1878



HC2系列(二级传动 传动比 $i=6.3\sim 28$  型号规格03~22)额定热容量KW  
 HC2series (Two-stage transmission, transmission ratio  $i=6.3\sim 28$  model, specification 03~22) rated thermal capacity KW

公称 传动比 Nominal ratio	型号规格 Type Size 冷却方式 Cooling mode	HC2	HC2	HC2	HC2	HC2	HC2	HC2	HC2	HC2	HC2	HC2	HC2	HC2	HC2	HC2	HC2	HC2	HC2	HC2	HC2
		03	04	05	06	07	08	09	10	11	12	13	14	15	16	17	18	19	20	21	22
6.3	PG1	54	75	88		143		182		244		406		532		572		650			
	PG2		94	131		214		295		417		734		993		1031		1071			
7.1	PG1	51	76.8	86.8		138		179		240		404		542	570	575	581	699	720	770	
	PG2		95.7	132		204		285		416		717		980	1023	1179	1026	1071	1209	1143	
8.0	PG1	50	73.4	85	93	135	155	174	180	235	281	398	437	548	579	575	639	738	745	844	862
	PG2		91.2	128	139	196	229	275	300	403	482	689	757	956	1007	1125	1127	1171	1233	1332	1310
9.0	PG1	47	70.6	82.7	92.3	129	148	169	174	231	273	388	431	542	576	589	653	736	778	892	902
	PG2		87.6	121	137	188	220	263	290	382	471	658	733	923	978	1110	1175	1218	1328	1435	1474
10	PG1	44	66.7	80.6	90	125	143	165	168	229	264	376	425	537	574	600	672	785	801	917	936
	PG2		82.3	114	134	179	210	251	277	361	459	627	708	891	949	1094	1223	1398	1424	1537	1638
11.2	PG1	42	63.5	76.7	88.6	123	139	162	166	220	259	380	414	515	561	596	673	783	822	921	972
	PG2		78.4	109	130	179	200	236	266	360	431	615	678	849	912	1048	1179	1301	1408	1435	1611
12.5	PG1	41	60.7	75.3	85	120	134	155	164	224	249	349	398	529	549	593	649	783	815	919	972
	PG2		74	106	121	170	190	222	253	346	409	563	644	842	867	1016	1128	1307	1355	1457	1578
14	PG1	39	57.3	70.6	80.8	110	131	149	162	222	248	330	400	501	556	589	633	765	814	898	966
	PG2		69.6	98.7	114	153	190	212	238	323	408	527	640	782	860	961	1093	1238	1312	1419	1524
16	PG1	36	52	65.8	79.2	108	127	143	160	218	242	300	367	476	525	552	594	735	792	865	943
	PG2		63	91.5	111	142	180	196	224	299	390	471	576	733	798	900	1030	1161	1244	1327	1443
18	PG1	35	49.3	64.7	74.3	110	122	143	155	213	237	292	350	450	477	535	612	677	767	844	913
	PG2		58.3	87	101	138	158	188	207	288	348	451	515	650	710	838	918	1036	1108	1200	1286
20	PG1	32	47.9	60.2	69	95.7	109	134	144	206	228	283	317	436	469	545	617	686	732	815	883
	PG2		57.9	82.8	95.8	131	151	186	198	259	305	395	438	590	629	722	860	946	996	1088	1161
22.4	PG1	32	44	55.3	67.8	92	105	124	142	202	224		320		455		594		696		817
	PG2		53.5	76	93.6	125	150	171	195	238	305		440		602		827		947		1105
25	PG1				63		102		138		219		298								
	PG2				86.7		139		188		290		404								
28	PG1				58		97.8		127		209										
	PG2				79.6		132		172		267										





HC3系列(三级传动 传动比 $i=22.4 \sim 112$  型号规格05~22)额定热容量KW  
 HC3 series (Three-stage transmission, transmission ratio  $i=22.4 \sim 112$  model, specification 05~22) rated thermal capacity KW

公称 传动比 Nominal ratio	冷 却方式 Cooling mode	型号规格 Type Size																			
		HC3 05	HC3 06	HC3 07	HC3 08	HC3 09	HC3 10	HC3 11	HC3 12	HC3 13	HC3 14	HC3 15	HC3 16	HC3 17	HC3 18	HC3 19	HC3 20	HC3 21	HC3 22		
22.4	PG1									252		367		504		661		769			
	PG2									376		540		712							
25	PG1	61.5		94.3		127		185		262		361	397	440	491	581	610	644	679		
	PG2	75.5		131		176		256		378		535	587	651	712						
28	PG1	59.5		95.5		127		181		258	282	355	394	434	476	577	608	642	695		
	PG2	73.8		134		173		247		369	414	523	582	636	694						
31.5	PG1	58.5	64.5	89.7	100	123	124	176	214	251	275	347	390	422	469	564	596	638	690		
	PG2	71.8	80.5	126	139	166	175	237	288	354	403	498	575	603	683						
35.5	PG1	57	63	89.7	100	120	123	169	208	253	274	347	380	415	454	564	588	635	684		
	PG2	69.7	79	122	139	162	170	228	280	347	394	479	543	573	643						
40	PG1	54.3	61.8	86.3	96.5	111	121	162	204	228	258	330	360	382	430	527	562	631	673		
	PG2	66	77	115	134	150	165	216	271	309	368	470	512	550	606						
45	PG1	52.3	60	80	86.7	106	116	161	194	217	247	321	344	378	412	521	542	623	666		
	PG2	63.5	74.5	107	122	142	157	215	255	291	345	443	496	542	585						
50	PG1	51	57.5	74	84.8	102	110	156	189	212	238	312	340	369	407	493	536	611	657		
	PG2	61	70.7	100	115	135	147	206	245	281	322	413	480	490	570						
56	PG1	48.5	55.3	71	82	97.5	106	146	182	204	227	305	339	350	398	470	507	600	643		
	PG2	57.5	68	95	110	127	143	189	240	262	297	386	454	460	520						
63	PG1	45.8	53.6	66.5	78.5	92.8	105	139	177	194	221	290	321	327	375	454	500	588	622		
	PG2	54	65	88	105	120	139	173	230	249	278	365	394	417	460						
71	PG1	46	51	65	75	91	101	138	168	190	212	282	301	321	352	436	469	566	598		
	PG2	52.8	61.5	84	97.7	118	133	166	228	245	271	335	378	384	440						
80	PG1	43.5	48.3	63.5	70.5	86.5	95.5	130	159	185	202	269	291	306	345	411	449	542	585		
	PG2	51	57.5	82.5	93	112	121	165	201	237	260	325	358	365	423						
90	PG1	43.2	48.8	60	66.7	81.5	94.2	127	154	175	199	255	279	286	329	389	422	524	560		
	PG2	50.3	56.5	77.5	88.5	108	119	160	198	230	254	310	334	340	395						
100	PG1		46		67.5		89.5		145		194		263		307		400		543		
	PG2		54.5		87.5		112		182		243		315		369						
112	PG1		46		63.7		84.5		140		183										
	PG2		54		82		105		174		235										



HC4系列(四级传动 传动比*i* = 100 ~ 450 型号规格07 ~ 22)额定热容量KW  
 HC4 series (Four-stage transmission, transmission ratio *i* = 100 ~ 450 model, specification 07 ~ 22) rated thermal capacity KW

公称 传动比 Nominal ratio	型号规格 冷 却方式 Cooling mode Type Size	HC4	HC4	HC4	HC4	HC4	HC4	HC4	HC4	HC4	HC4	HC4	HC4	HC4	HC4	HC4	HC4
		07	08	09	10	11	12	13	14	15	16	17	18	19	20	21	22
100	PG1	53.2		72.5		106		154		213		246		331		430	
112	PG1	52.6		71.3		106		152		206	220	239	263	321	335	421	445
125	PG1	51.5	57.5	70.2	75.3	103	117	148	161	200	216	232	255	314	331	416	436
140	PG1	49.8	56.6	68.9	74.3	101	118	144	159	194	207	225	247	293	312	392	424
160	PG1	48.5	55.4	66	73.3	97.9	115	138	155	187	201	216	239	282	302	380	406
180	PG1	46.9	53.6	64	71.6	95	113	133	151	185	194	214	230	267	285	375	392
200	PG1	46.1	52	62.7	69	91.9	109	131	145	182	192	212	229	259	275	369	386
224	PG1	43.7	50.5	60	66.7	88.3	106	127	140	173	189	200	225	252	267	353	382
250	PG1	41.9	49.7	57.6	65.3	83.5	102	121	138	164	178	191	213	242	260	335	365
280	PG1	40.3	47.2	56.7	62.7	80.7	98	117	133	161	170	186	202	233	248	324	346
315	PG1	39.3	45	53.8	60	79	93	112	128	153	166	177	198	228	242	314	334
355	PG1	37.3	43.5	53.2	59.2	75.2	89.9	107	123	148	159	173	189	216	236	299	324
400	PG1		42.4		56.2		88.3		118		154		183		223		308
450	PG1		40		55.4		83.7		113								





## HC系列立式安装润滑油供给方式可选方案/Optional scheme for HC series vertical installation lubricating oil supply mode

### HC-V(二、三、四级传动机型号规格03~18)/HC-V(Two/three/four machine model, specification 03~18)

类型 Type	机型号 Model	浸油润滑 Dip lubrication	法兰泵强制润滑 Flange pump forced lubrication	电动机强制润滑 Mounted Motor pumps
HC2 SV、HV、DV	03~04	√	-	-
	05~12	√	√	-
	13~18	-	√	-
HC3 SV、HV、DV	05~12	√	√	√
	13~18	-	√	√
HC4 SV、HV、DV	07~12	√	√	√
	13~18	-	-	√

注：表中√符号表示可选。

Note: The symbol √ in the table denotes optional item.

#### HC系列推荐供油方式：

- 1、机型号在06号以下（含06号）采用浸油润滑。  
当采用浸油润滑时，各所需要的润滑零件均需浸在润滑油中，附带的补偿油箱用于储藏涨溢的油液。  
当采用浸油润滑时，必须满足下列A、B条件：

#### HC series recommended oil supply mode:

1. Flooding system lubrication is adequate for machine models below 06 (including 06). When flooding system lubrication is adopted, all required lubricating accessories must be immersed into lubricating oil and attached compensatory oil tank is used to store overflowing oil liquid. When flooding system lubrication is adopted, following condition A, B must be met:

#### A:允许油温 / Allowable oil temperature

40°C以下的ISO-VG粘度ISO-VG viscosity below 40°C mm <sup>2</sup> /(cst)	浸油润滑允许极限温度°C/Permissible temperature limit in °C for forced feed lubrication	
	矿物油/Mineral oil	合成油/Synthetic oil
VG220	-15	-25
VG320	-12	-25
VG460	-9	-25

注：当采用浸油润滑时，油温不能低于所用润滑油倾点，若低于表中列油温时，则必须对润滑油进行加温。

Note: When flooding system lubrication is adopted, oil temperature can't be lower than pour point of lubricating oil used. If oil temperature is lower than the listed oil temperature, it is required to warm up lubricating oil.

#### B:允许最大输入转数n1 / Allowable maximum input rotary number n1

型号规格化 Type Size	HC2-SV、HV、DV		HC3-SV、HV、DV		HC4-SV、HV、DV	
	i	n1max	i	n1max	i	n1max
HC-03	6.3~7.1	1200	-	-	-	-
	8~10	1500				
	11.2~22.4	1800				
HC-04	6.3~10	1200	-	-	-	-
	11.2~12.5	1500				
	14~22.4	1800				
HC-05	6.3~9	1000	25~90	1800	-	-
	10~12.5	1200				
	14~16	1500				
	18~22.4	1800				
HC-06	8~11.2	1000	31.5~112	1800	-	-
	12.5~16	1200				
	18~20	1500				
	22.4~28	1800				

注：n1和i值不在表中列范围内的齿轮箱必须采用强制润滑。

Notes: If the n1 and i value of gear cases are not within the range listed inside the table, forced lubrication must be adopted.





B:允许最大输入转数n1 / Allowable maximum input rotary number n1

型号规格化 Type Size	HC2-SV、HV、DV		HC3-SV、HV、DV		HC4-SV、HV、DV	
	i	n1max	i	n1max	i	n1max
HC-07	6.3~7.1	750	25~90	1800	100~355	1800
	8~9	900				
	10~11.2	1000				
	12.5~16	1200				
	18~22.4	1500				
HC-08	8~9	750	31.5~112	1800	125~450	1800
	10~11.2	900				
	12.5~14	1000				
	16~20	1200				
	22.4~28	1500				
HC-09	6.3~7.1	1200	25~90	1800	100~355	1800
	8~10	1500				
	11.2~22.4	1800				
HC-10	8~9	1200	31.5~112	1800	125~450	1800
	10~12.5	1500				
	14~28	1800				
HC-11	6.3~7.1	1000	25~90	1800	100~355	1800
	8~10	1200				
	11.2~12.5	1500				
	14~22.4	1800				
HC-12	8~9	1000	31.5~112	1800	125~450	1800
	10~12.5	1200				
	14~16	1500				
	18~28	1800				

注: n1和i值不在表中所示范围内的齿轮箱必须采用强制润滑。

Notes: If the n1 and i value of gear cases are not within the range listed inside the table, forced lubrication must be adopted.

机型号在06号以上采用强制润滑。

当采用强制润滑时, 所有未浸入润滑油中的零件, 均通过一个法兰联接油泵或单独的电动泵进行循环润滑。

当采用浸油润滑时, 必须满足下列条件:

Compulsory lubrication is adequate for machine models above 06. When

compulsory lubrication is adopted, all accessories that are not immersed into lubricating oil must be circularly lubricated through a flange connecting oil pump or separate electric pump.

When flooding system lubrication is adopted, following conditions must be met:

HC系列当选项用强制润滑时允许极限温度℃

Permissible temperature limit in °C for forced feed lubrication

40℃以下的ISO-VG粘度ISO-VG viscosity below 40°C mm <sup>2</sup> /(cst)	矿物油/Mineral oil		合成油/Synthetic oil	
	最低/min	最高/max	最低/min	最高/max
VG220	10	80	0	90
VG320	15	90	5	100
VG460	20	95	10	105

注: 当采用强制润滑时工作粘度不能超过1800cst, 最低工作温度不能小于25cst, 当油温低于表中所列的油温值时, 必须采用浸油润滑方式, 或者对润滑油进行加温。

Notes: when forced lubrication is adopted, working viscosity can not exceed 1800cst and minimum working temperature can not be less than 25cst, when oil temperature is less than the oil temperature value listed inside the table, the mode of flooding system lubrication must be adopted, or lubricating oil must be heated.

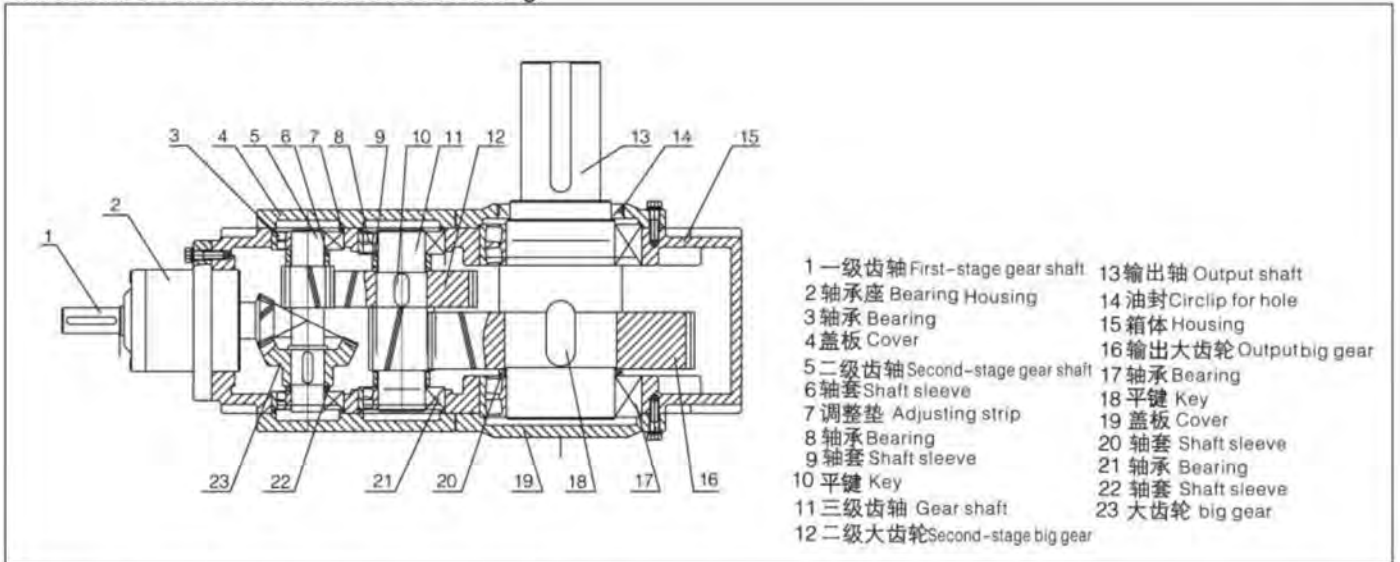


附件代号一览表/Accessories:

代号 Code	附件 Accessories	示例 Illustrations	页码 Page
L1	冷却风扇		250
L2	内置冷却盘管		251-254
L3	L1+L2		250-254
L4	外置水冷式冷却器		250
L5	外置风冷式冷却器		250
R1A	轴端油泵强制润滑 (置A面)		255
R1B	轴端油泵强制润滑 (置B面)		255
R3	补偿油箱浴油润滑		255
R2	电机油泵强制润滑		256
NA	配逆止器 (置A面)		257
NB	配逆止器 (置B面)		257
V1	与电机法兰连接		258、259
V2	与电机角支架连接		258、259
V3	配鼓形制动器		258、259
V4	配扭力臂		260
V5	配钢丝绳卷筒		260



BC系列结构图:/BC series structure drawing:



**BC系列工业齿轮箱机型号规格及机型号表示方法:**

本系列减速器的型号规格有:BC(01、02、03、04、05、06、07、08、09、10、11、12、13、14、15、16、17、18、19、20、21、22)等22种, 减速比有5.0~400等多种速比, 可分配18~822kW。

其中二级传动的机型号有: BC2-(01、02、03、04、05、06、07、08、09、10、11、12、13、14、15、16、17、18)等18种。公称传动比分别有5.0、5.6、6.3、7.1、8.0、9.0、10、11.2、12.5、14、16、18等12种

其中三级传动的机型号有: BC3-(03、04、05、06、07、08、09、10、11、12、13、14、15、16、17、18、19、20、21、22)等20种。公称传动比分别有12.5、14、16、18、20、22.4、25、28、31.5、35.5、40、45、50、56、63、71、80、90等18种。

其中四级传动的机型号有: BC4-(05、06、07、08、09、10、11、12、13、14、15、16、17、18、19、20、21、22)等18种。公称传动比分别有80、90、100、112、125、140、160、180、200、224、250、280、315、355、400等15种。

**.Notation for BC series industrial gearbox models, specifications and machine types:**

Models and specifications of this reducer series include: BC (01, 02, 03, 04, 05, 06, 07, 08, 09, 10, 11, 12, 13, 14, 15, 16, 17, 18, 19, 20, 21, 22), reduction ratio range: 5.0 ~ 400, allocable: 18 ~ 822kW.

Machine models of two-stage gearing include: BC2-(01, 02, 03, 04, 05, 06, 07, 08, 09, 10, 11, 12, 13, 14, 15, 16, 17, 18). Nominal transmission ratios i includes 5.0, 5.6, 6.3, 7.1, 8.0, 9.0, 10, 11.2, 12.5, 14, 16, 18 etc.

Machine models of three-stage gearing include BC3-(03, 04, 05, 06, 07, 08, 09, 10, 11, 12, 13, 14, 15, 16, 17, 18, 19, 20, 21, 22). Nominal transmission ratios i includes 12.5, 14, 16, 18, 20, 22.4, 25, 28, 31.5, 35.5, 40, 45, 50, 56, 63, 71, 80, 90.

Machine models of four-stage gearing include BC4-(05, 06, 07, 08, 09, 10, 11, 12, 13, 14, 15, 16, 17, 18, 19, 20, 21, 22). Nominal transmission ratios i includes 80, 90, 100, 112, 125, 140, 160, 180, 200, 224, 250, 280, 315, 355, 400 etc.

**机型号表示方法/Model expression:**

